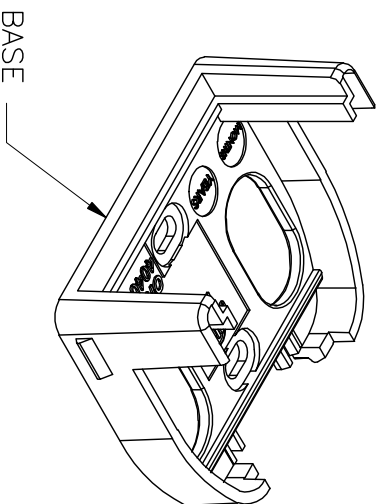
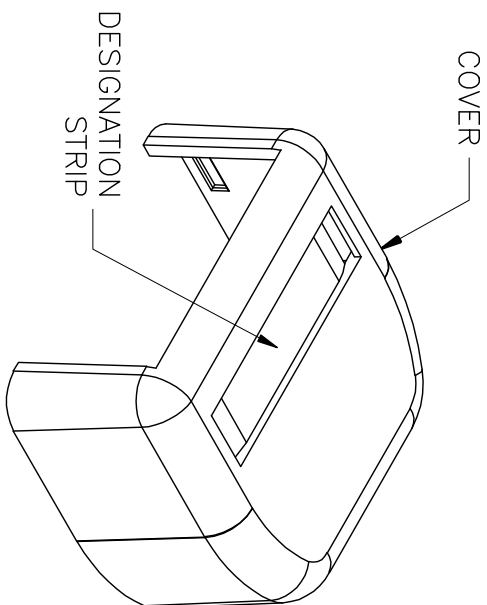


PART NO.	COLOR
404S21U	FOG WHITE
*404S21U-13	IVORY
*404S21U-33	LT ALMOND
*404S21U-88	CLOUD WHITE

NOTE: IF \* NEXT TO PART NUMBER, MINIMUM QUANTITIES REQUIRED.  
CONTACT YOUR CUSTOMER SERVICE REPRESENTATIVE (CSR)



NEW LONDON, CT 06320  
(860) 445-3800

DWN.BY: W. DIETZ DATE: 10/22/07

CHK.BY: CA.COLLELO 10/29/07

APP.BY: M. MARTICH 10/29/07

SIL 1 UNIT SMB

TITLE

SIZE CAD FILE

A 404S21UXXC

PART NUMBER

OR-404S21U-XX

REV

01

SCALE NONE

REL DATE 03/17/09

SHEET

1 OF 1

\*\*\* NOTICE \*\*\*  
THIS DOCUMENT CONTAINS CONFIDENTIAL AND/OR PROPRIETARY INFORMATION INTENDED FOR USE ONLY BY THE INDIVIDUAL(S) SPECIFIED HEREIN AND ONLY FOR THE PURPOSE(S) PROVIDED. NEITHER THIS DOCUMENT, NOR ANY INFORMATION CONTAINED HEREIN, MAY BE COPIED, DISTRIBUTED, DISCLOSED TO ANY THIRD PARTY OR USED IN ANY MANNER OTHER THAN FOR WHICH IT HAS BEEN PROVIDED, WITHOUT THE PRIOR WRITTEN CONSENT OF ORTRONICS, INC.