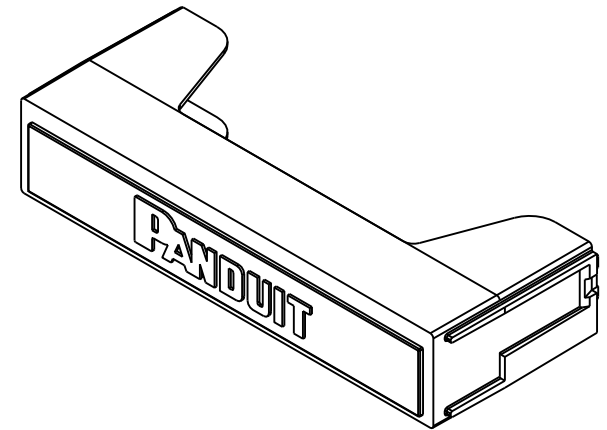
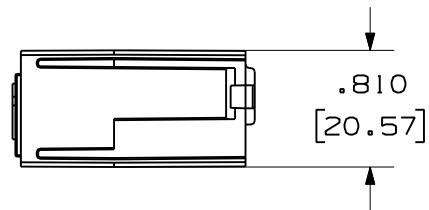
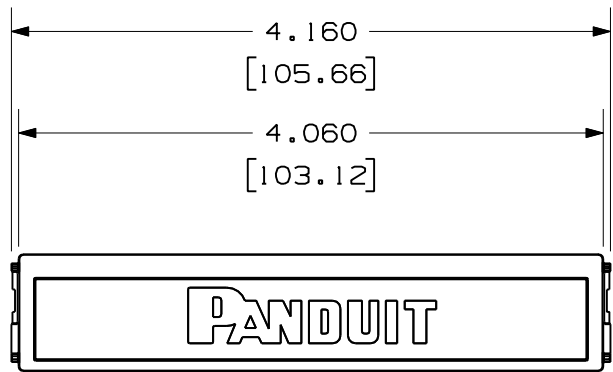
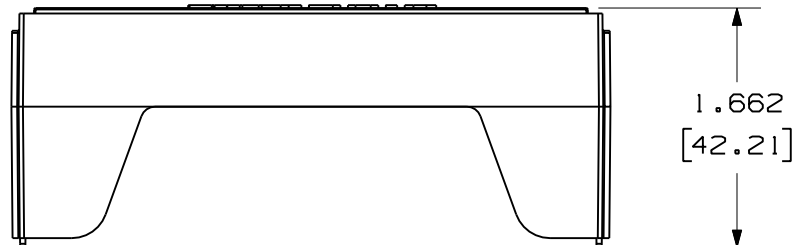


THIS COPY IS PROVIDED ON A RESTRICTED BASIS AND IS NOT TO BE USED IN ANY WAY DETRIMENTAL TO THE INTERESTS OF PANDUIT CORP.



NOTES:

1. SEE CURRENT CATALOG FOR VARIOUS APPLICATIONS.
2. THE BLANK IS DESIGNED FOR USE WITH QUICKNET PATCH PANELS.
3. DIMENSIONS IN BRACKETS ARE IN METRIC.




PANDUIT PART NUMBER	WEIGHT (APPOX.)
QPPBBL	0.06 lbs (3.2 g)



MODEL FILENAME M02582CJ_6_PORT_ADAPTER_BLANK_04.PRT	SIZE A
DRAWING FILENAME M02582CJ_DC43_04A.PRT	

QuickNET PATCH PANEL
BLANK CUSTOMER DRAWING

 PANDUIT ™ CORP. TINLEY PARK, ILL 60477	I.I. NUMBER
	PRODUCT SPEC/ PKG SPEC
ALL DIMENSIONS ARE GIVEN IN INCHES, UNLESS OTHERWISE SPECIFIED. DIMENSIONAL TOLERANCES ARE: (.X) ±.03 (.XXX) ±.005 (.XX) ±.01 ANGLES ± 1°	ASSY METHOD/ TEST METHOD
	SCALE .75 TO 1
DRAWN BY KSM	REVIEW DRAWING NUMBERS
DATE 1-03-07	PART NO. QPPBBL
CHK'D WFM1	MAT'L BLACK ABS
	DRAWING NO. 02582-43

REV	DATE	BY	CHK	DESCRIPTION	ECN	R	CUST	SUP	OTH
I	5-25-07	MDJr	WFM1	A. UPDATED MODEL TO REVISION 04.	02582-43		TRW		
R	1-31-07	MDJr	WFM1	RELEASED FOR PRODUCTION	02582-43				