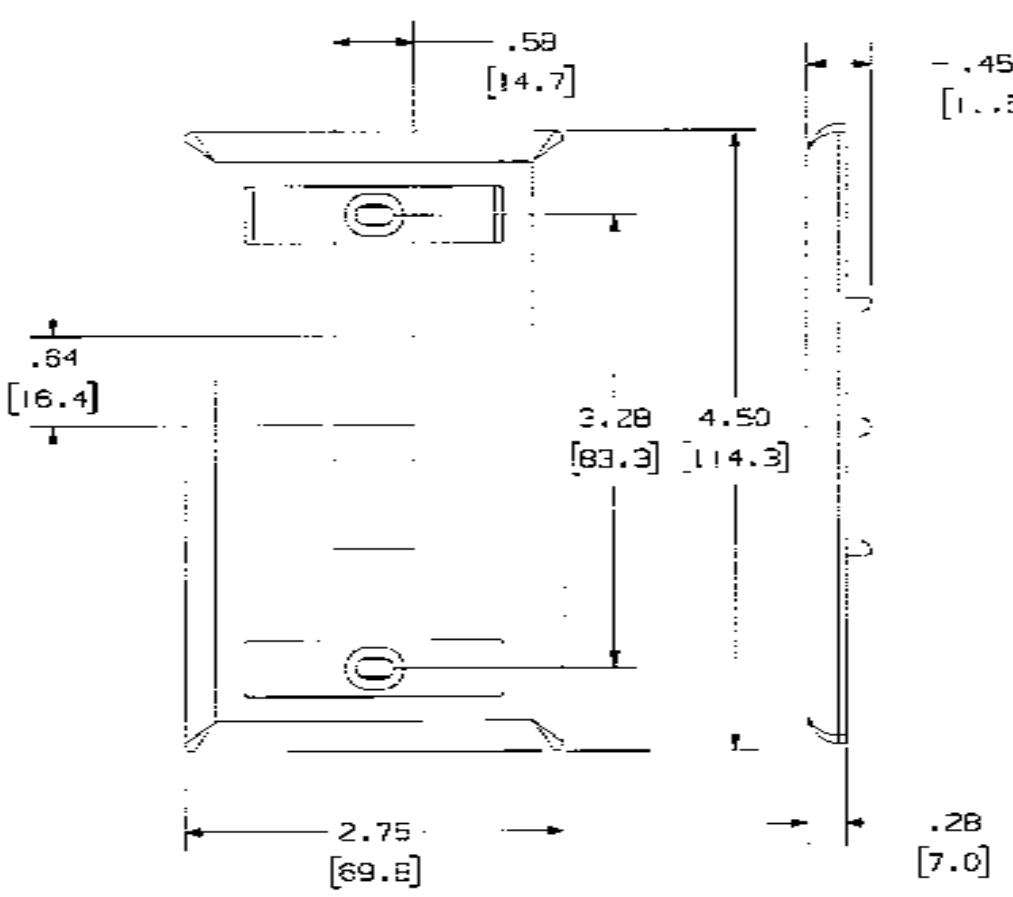


THIS COPY IS PROVIDED ON A RESTRICTED BASIS AND IS NOT TO BE USED IN ANY WAY DETRIMENTAL TO THE INTERESTS OF PANDUIT CORP.



PANDUIT P/N	WEIGHT
NK2F**Y	.49 LB/10 PCS 1224 g/10 PCS

- NOTES:
- SEE CURRENT CATALOG FOR ADDITIONAL PART SUFFIXES TO INDICATE COLOR AND OR PACKAGE QUANTITY.
 - FACEPLATE WILL ACCEPT TWO STANDARD NETKEY MODULES.
 - PART INCLUDES:
 - 1- FACEPLATE
 - 2- MOUNTING SCREW
 - 2- LABEL
 - 2- LABEL COVER
 - DIMENSIONS IN [] ARE IN METRIC.



MODEL FILENAME	W00881BOLKEYSTONEFF22_01.LPR	SIZE	A
DRAWING FILENAME	W02479DF_LC032_L005.LPR		

NETKEY 2 POSITION SINGLE GANG
FACEPLATE WITH LABEL
CUSTOMER DRAWING

REV	DATE	BY	CHK	DESCRIPTION	ECN	R	CUST	SUF	DTF	QTY	U/D
	10-25-08	JSP		A. REVISED INCORPORATE PART NUMBER.	02479-032						
R	1-29-09	JSP		RELEASED TO PRODUCTION	02479-032						

PANDUIT CORP.
TINLEY PARK, IL 60477

ALL DIMENSIONS ARE GIVEN IN INCHES, UNLESS OTHERWISE SPECIFIED.
DIMENSIONAL TOLERANCES ARE:
F.XF ±.05 F.XXX ±.005
F.XXI ±.02 ANGLES ±

THIRD ANGLE PROJECTION

DRAWN BY: JSP
DATE: 1-29-09

APPROVAL: [Signature]
DATE: 1-29-09

REVISION: [Signature]

3B5

I.T. NUMBER	N/A
PRODUCT SPEC	N/A
REF. INSTRUCTION	N/A
SCALE	NONE
PART NO.	NK2F**Y
DRAWING NO.	02479-032