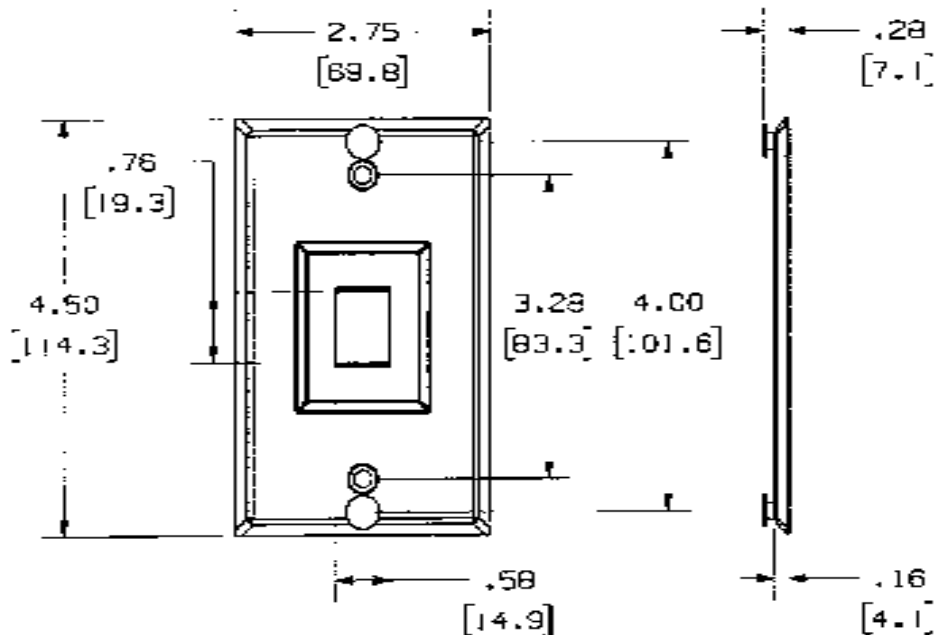


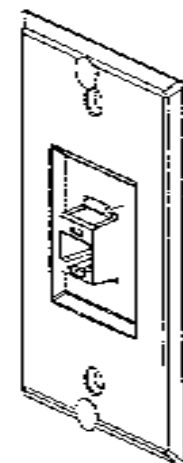
THIS COPY IS PROVIDED ON A RESTRICTED BASIS AND IS NOT TO BE USED IN ANY WAY DETRIMENTAL TO THE INTERESTS OF PANDUIT CORP.

PANDUIT P/N	WEIGHT
KWP6PY	1.40 LB/10 PCS 1635.3 g/10 PCS



NOTES:

- SEE CATALOG FOR COMPLETE LIST OF PARTS APPLICABLE FOR USE WITH THIS PART.
- DIMENSIONS IN PARENTHESES ARE IN METRIC.
- KWP6PY CONTAINS:  
1- WALL PLATE  
1- KEYSTONE TX6 PLUS JACK MODULE  
2- MOUNTING SCREW



SIZE	A
DATE FILED	0247980_0041_003A.PRT

PHONE PLATE WITH KEYSTONE TX6 PLUS JACK MODULE CUSTOMER DRAWING

<p><b>PANDUIT</b>™ CORP. TIMLEY PARK, ILL. 60477</p>	T.I. NUMBER	N/A	
	PRODUCT SPEC	N/A	
<p>THIRD ANGLE PROJECTION</p>	WORK INSTRUCTION	N/A	
	SCALE	NONE	
DATE	5-2-06	PART NO.	KWP6PY
DATE	5-2-06	DRAWING NO.	02479-041
MATERIAL 20 AWG 430 STAINLESS STEEL			

REV	DATE	BY	CHK	DESCRIPTION	ECN	R	JUST	SUP	OTH
	5-2-05	Jsf	<i>[Signature]</i>	RELEASED TO PRODUCTION	02479-041				