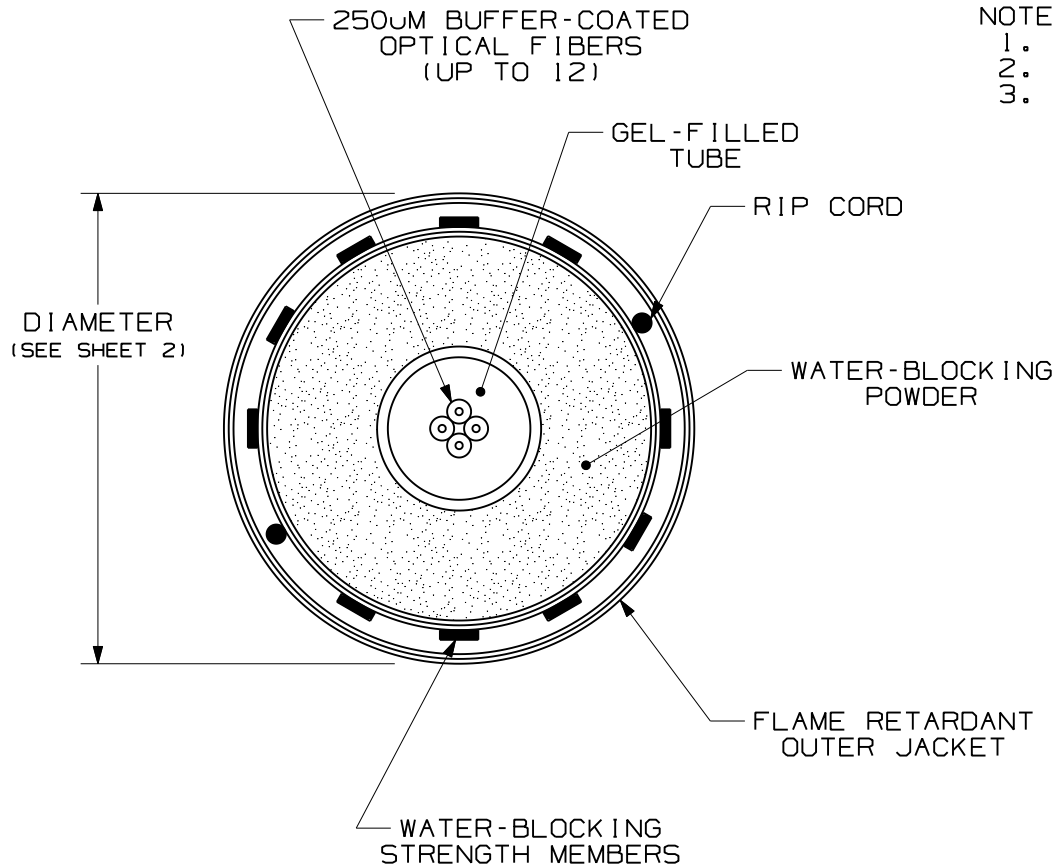


THIS COPY IS PROVIDED ON A RESTRICTED BASIS AND IS NOT TO BE USED IN ANY WAY DETRIMENTAL TO THE INTERESTS OF PANDUIT CORP.




NOTES:

1. DIAMETER DIMENSION, SHOWN FOR REFERENCE ONLY.
2. DIMENSIONS IN BRACKETS [] ARE ENGLISH.
3. ALL MATERIALS AND COMPONENTS USED MUST MEET THE MATERIAL RESTRICTIONS OF RoHS (EUROPEAN DIRECTIVE 2002/95/EC ON THE RESTRICTION OF HAZARDOUS SUBSTANCES) AS PROPOSED BY THE RoHS TECHNICAL ADAPTATION COMMITTEE.

TECHNICAL SPECIFICATIONS		
MAXIMUM LOSS		SINGLEMODE MAXIMUM LOSS
3.5 dB/KM @ 850nm 1.5 dB/KM @ 1300nm		.40 dB/KM @ 1310nm .30 dB/KM @ 1500nm
TENSILE LOAD - RISER RATED		
INSTALLATION		LONG TERM
1335 N (300 lbf)		400 N (90 lbf)
TEMPERATURE		
INSTALLATION	OPERATION	STORAGE
-20° C TO +60° C -4° F TO +140° F	-40° C TO +75° C -40° F TO +167° F	-40° C TO +85° C -40° F TO +185° F

REV	DATE	BY	CHK	DESCRIPTION	ECN	R	CUST	SUP	OTH
R	12-17-08	EFK		RELEASED TO PRODUCTION	02055-193				

OPTI-CORE INDOOR/OUTDOOR CABLE WITH UP TO 4 FIBERS IN A CENTRAL TUBE
CUSTOMER DRAWING



PANDUIT™
CORP.
TINLEY PARK, ILL 60477

DRAWING FILENAME
MO2055DN_DC/00A.prt

SCALE
NONE

PART NO.
FSCR*02Y
FOCR*04Y

DRAWING NO.
02055-193

SHEET 1 OF 2

SIZE
A

ALL DIMENSIONS ARE GIVEN IN INCHES, UNLESS OTHERWISE SPECIFIED.

DIMENSIONAL TOLERANCES ARE:
 (.X) (.XXX)±0.3 (.010)
 (.XX)±0.8 (.03) ANGLES

THIRD ANGLE PROJECTION

DRAWN BY: EFK REVIEW DRAWING NUMBERS

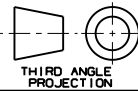

DATE: 12-17-08

CHK'D

THIS COPY IS PROVIDED ON A RESTRICTED BASIS AND IS NOT TO BE USED IN ANY WAY DETRIMENTAL TO THE INTERESTS OF PANDUIT CORP.

INDOOR/OUTDOOR CABLE WITH UP TO 12 FIBERS IN A CENTRAL TUBE						
PANDUIT PART NUMBER	FIBER TYPE	JACKET RATING	FIBER COUNT	DIMENSION "A"	BEND RADIUS	
					INSTALLED	LONG TERM
FSCR902Y	SINGLEMODE 9/125	OFNR	2	8.5mm [0.335"]	9.9cm [3.8"]	6.6cm [2.6"]
FSCR904Y			4			
FSCR602Y	MULTIMODE 62.5/125		2			
FSCR604Y			4			
FSCR502Y	MULTIMODE 50/125		2			
FSCR504Y			4			
FOCRX02Y	MULTIMODE 50/125 OM3		2			
FOCRX04Y			4			

REV	DATE	BY	CHK	DESCRIPTION	ECN	R	CUST	SUP	OTH
R	12-17-08	EFK		RELEASED TO PRODUCTION	02055-193				

OPTI-CORE INDOOR/OUTDOOR CABLE WITH UP TO 4 FIBERS IN A CENTRAL TUBE CUSTOMER DRAWING														
 THIRD ANGLE PROJECTION					 PANDUIT ™ CORP. TINLEY PARK, ILL 60477									
					ALL DIMENSIONS ARE GIVEN IN INCHES, UNLESS OTHERWISE SPECIFIED. DIMENSIONAL TOLERANCES ARE: (.X) (.XXX)±0.3 (.010) (.XX)±0.8 (.03) ANGLES					DRAWING FILENAME MO2055DN_DC/00A.prt SCALE NONE				
DRAWN BY EFK					REVIEW DRAWING NUMBERS					PART NO. FSCR*02Y FOCR*04Y				
DATE 12-17-08					DRAWING NO. 02055-193					SIZE A				
CHK'D					SHEET 2 OF 2									