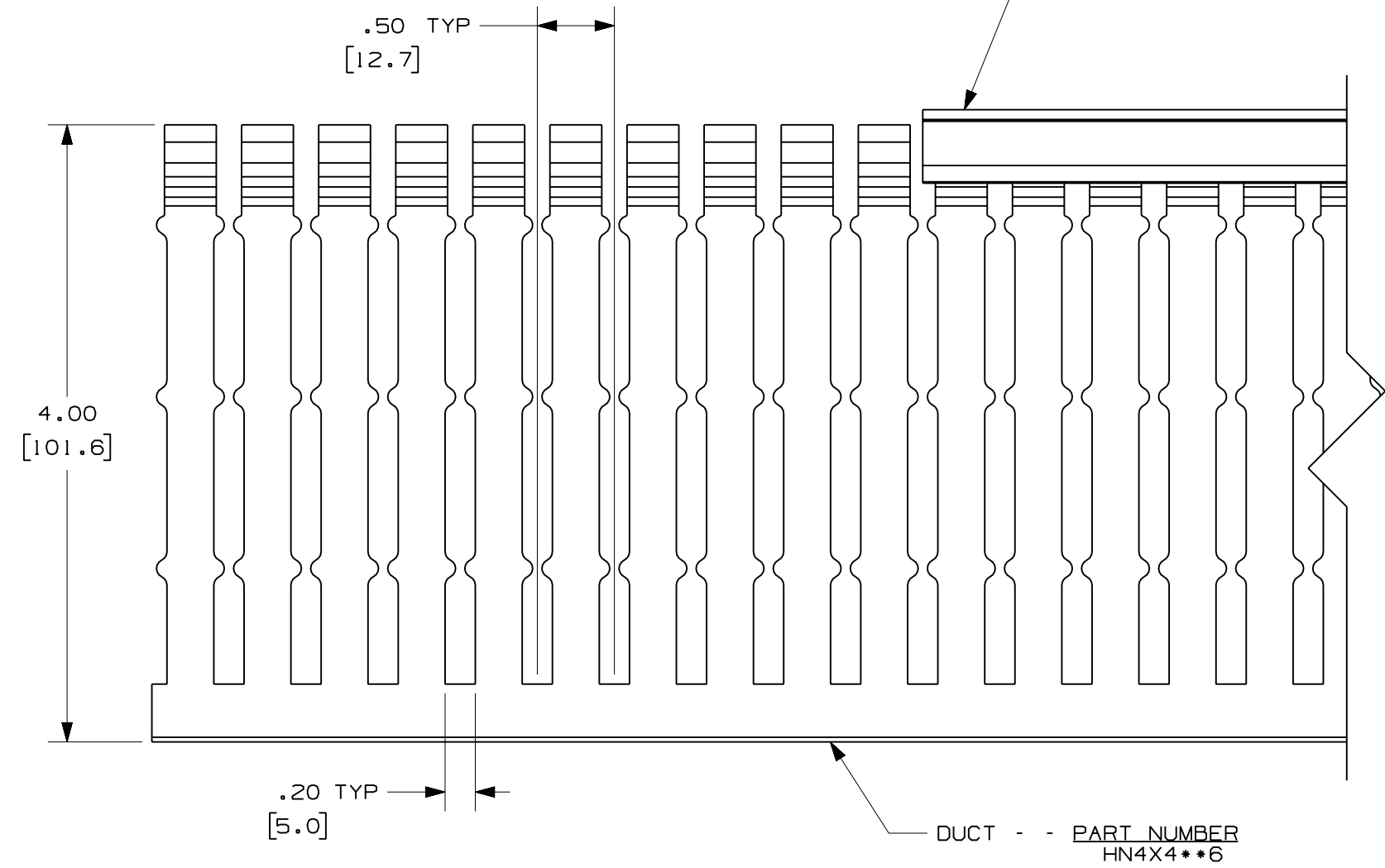
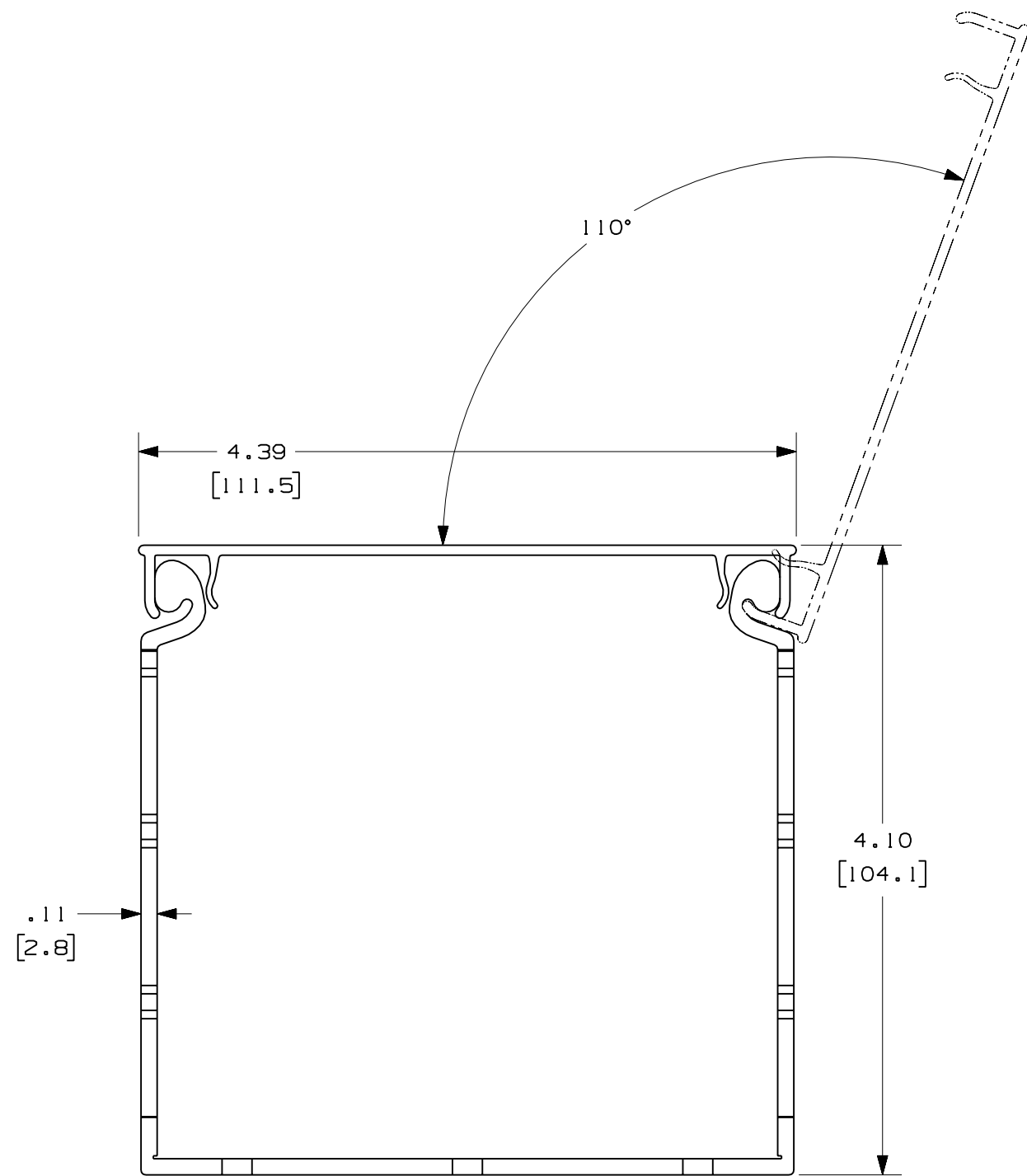
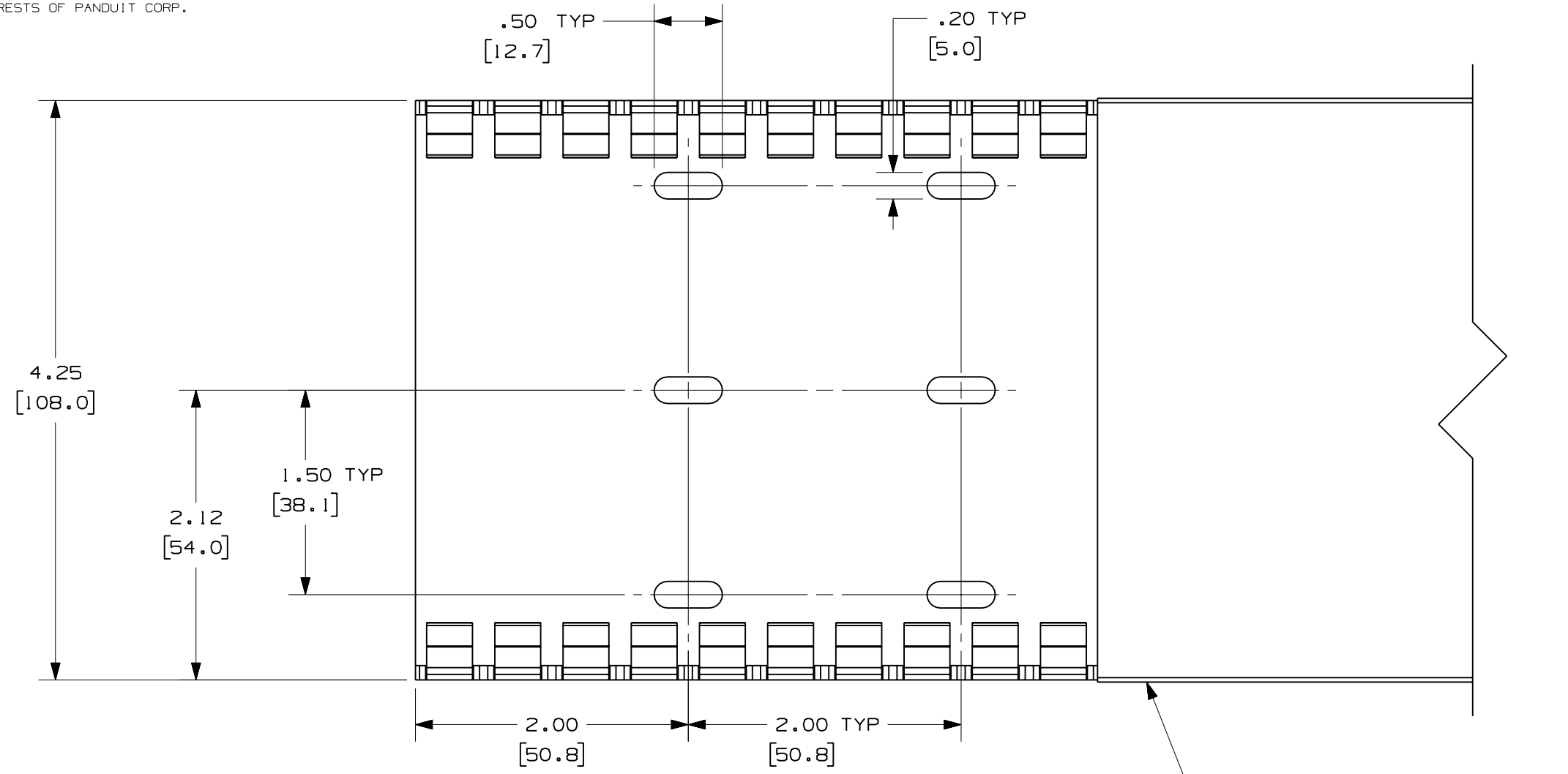


THIS COPY IS PROVIDED ON A RESTRICTED BASIS AND IS NOT TO BE USED IN ANY WAY DETRIMENTAL TO THE INTERESTS OF PANDUIT CORP.



- NOTES:
 1. ALL DIMENSIONS ARE REFERENCE ONLY.
 2. DIMENSIONS IN PARENTHESES ARE METRIC.
 3. THE ** INDICATES COLOR.
 4. DUCT AND COVER ARE AVAILABLE IN 6 FT (1828.8) LENGTHS.

CAD FILENAME/LAYERS				DI1000VB_DC/00A	
PANDUIT CORP. TINLEY PARK, ILLINOIS WIRING DUCT - TYPE HN DUCT WITH COVER 4X4 MARKETING DRAWING				DRWN BY	JCST
				DATE	11-19-07
REV				DATE	BY
R				11-19-07	JCST/MKBE
DESCRIPTION				SCALE	FULL
DRAWING NO.				DWG	SIZE
36897-1244				C	