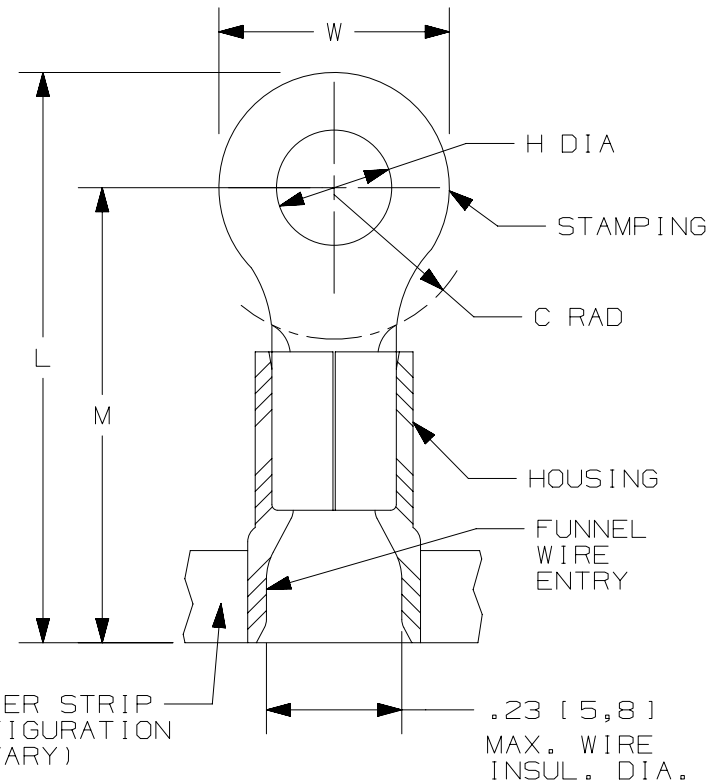


THIS COPY IS PROVIDED ON A RESTRICTED BASIS AND IS NOT TO BE USED IN ANY WAY DETRIMENTAL TO THE INTERESTS OF PANDUIT CORP.

PANDUIT PART #	STUD SIZE		DIMENSIONS in. [mm]				
	ENGLISH	METRIC	L ± .03 [0,76]	W ± .01 [0,25]	C ± .02 [0,51]	M ± .03 [0,76]	H ± .01 [0,25]
PMV6-3RB	--	M3	.98 [24,9]	.24 [6,1]	.31 [7,9]	.86 [21,8]	.13 [3,3]
PV10-6RB	#6	M3,5	1.02 [25,9]	.31 [7,9]	.31 [7,9]	.86 [21,8]	.15 [3,8]
PV10-8RB	#8	M4	1.02 [25,9]	.31 [7,9]	.31 [7,9]	.86 [21,8]	.17 [4,3]
PV10-10RB	#10	--	1.02 [25,9]	.31 [7,9]	.31 [7,9]	.86 [21,8]	.20 [5,1]
PMV6-5RB	--	M5	1.05 [26,7]	.37 [9,4]	.31 [7,9]	.86 [21,8]	.21 [5,3]
PV10-14RB	1/4"	M6	1.20 [30,5]	.52 [13,2]	.38 [9,7]	.94 [23,9]	.27 [6,9]
PV10-56RB	5/16"	M8	1.20 [30,5]	.52 [13,2]	.38 [9,7]	.94 [23,9]	.33 [8,4]
PV10-38RB	3/8"	--	1.23 [31,2]	.58 [14,7]	.38 [9,7]	.94 [23,9]	.39 [9,9]



NOTES:

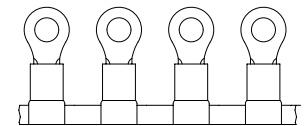
- USED FOR:
 - A. #12-10 AWG [4,0-6,0 mm²] SOLID OR STRANDED COPPER WIRE
 - B. 221°F [105°C] MAX. OPERATING TEMPERATURE
 - C. 600 V. MAX. VOLTAGE RATING
- INSTALLATION TOOLS:
 - A. PRESSES: CP-861, CP-862, CP-871
 - B. APPLICATOR: CA-800EZ, CA9
 - C. DIE INSERTS: CD-800-3, CD9-3B
- WIRE STRIP LENGTH: 11/32" ^{+1/32}/₀ [8,7^{+0,8}/₀]
- MATERIAL:
 - A. STAMPING: .03" [0,8] THK COPPER, TIN PLATED
 - B. HOUSING: VINYL, YELLOW
- SEE www.panduit.com FOR PACKAGE QUANTITIES INDICATED BY PART NUMBER SUFFIX
- DIMENSIONS IN BRACKETS ARE METRIC EQUIVALENT



LISTED
587H
E52164



CERTIFIED
LR31212



REV	DATE	BY	CHK	APR	DESCRIPTION	ECN
04	09.14.12	JBN	LCA	VMB	ADDED METRIC EQUIVALENT. REVISED NOTES. UPDATED TO CURRENT STANDARDS.	A41067

TITLE RING TERMINALS, 2 PC. VINYL INSULATED, #12-10	
CUSTOMER DRAWING	
ITEM REVISION NAME N41067BA/05	PANDUIT
DATASET FILE NAME N41067BA_DC/05A	
UNLESS OTHERWISE SPECIFIED, DIMENSIONAL TOLERANCES ARE: IN [mm]	
.x ± .1 [2.54]	.xxx ± .005 [0.13]
.xx ± .01 [0.25]	ANGLES ± 5°
THIRD ANGLE PROJECTION	
DRAWING NUMBER: A41067	
DRAWN BY CLK	DATE -
CHK -	SCALE N.T.S.
SHT 1 OF 1	
A	

D101000DA/15