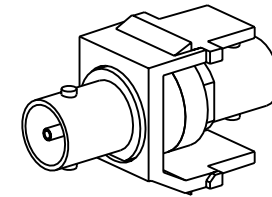
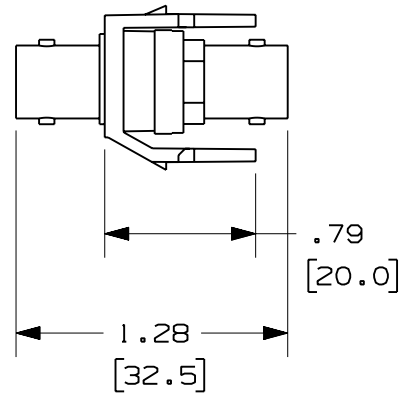
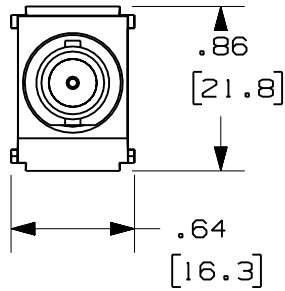


THIS COPY IS PROVIDED ON A RESTRICTED BASIS AND IS NOT TO BE USED IN ANY WAY DETRIMENTAL TO THE INTERESTS OF PANDUIT CORP.

PANDUIT P/N	WEIGHT
NKBNCM**Y	.36 LB/10 PCS (165 g/10 PCS)


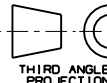
NOTES:

1. SEE CURRENT CATALOG FOR ADDITIONAL PART NUMBER SUFFIXES TO INDICATE COLOR AND OR PACKAGE QUANTITY.
2. SEE CATALOG FOR COMPLETE LIST OF PARTS APPLICABLE FOR USE WITH THIS PART.
3. DIMENSIONS IN PARENTHESES ARE IN METRIC.
4. PART INCLUDES:
1- MODULE BASE
1- BNC COUPLER (ASSEMBLED TO MODULE BASE)



MODEL FILENAME	M00661ZG_BNC_03.PRT	SIZE A
DRAWING FILENAME	M02479HU_205_00A.PRT	

NETKEY 50ohm BNC COUPLER
MODULE CUSTOMER DRAWING

 PANDUIT [®] CORP. TINLEY PARK, IL 60477	I.I. NUMBER	N/A
	PRODUCT SPEC	N/A
 THIRD ANGLE PROJECTION	WORK INSTRUCTION	N/A
	SCALE	NONE
DRAWN BY JsP	MATERIAL:	PART NO. NKBNCM**Y
DATE 4-24-06	ABS	DRAWING NO. 02479-205
CHK'D		

REV	DATE	BY	CHK	DESCRIPTION	ECN	R	CUST	SUP	OTH
R	4-24-06	JsP		RELEASED TO PRODUCTION	02479-205				