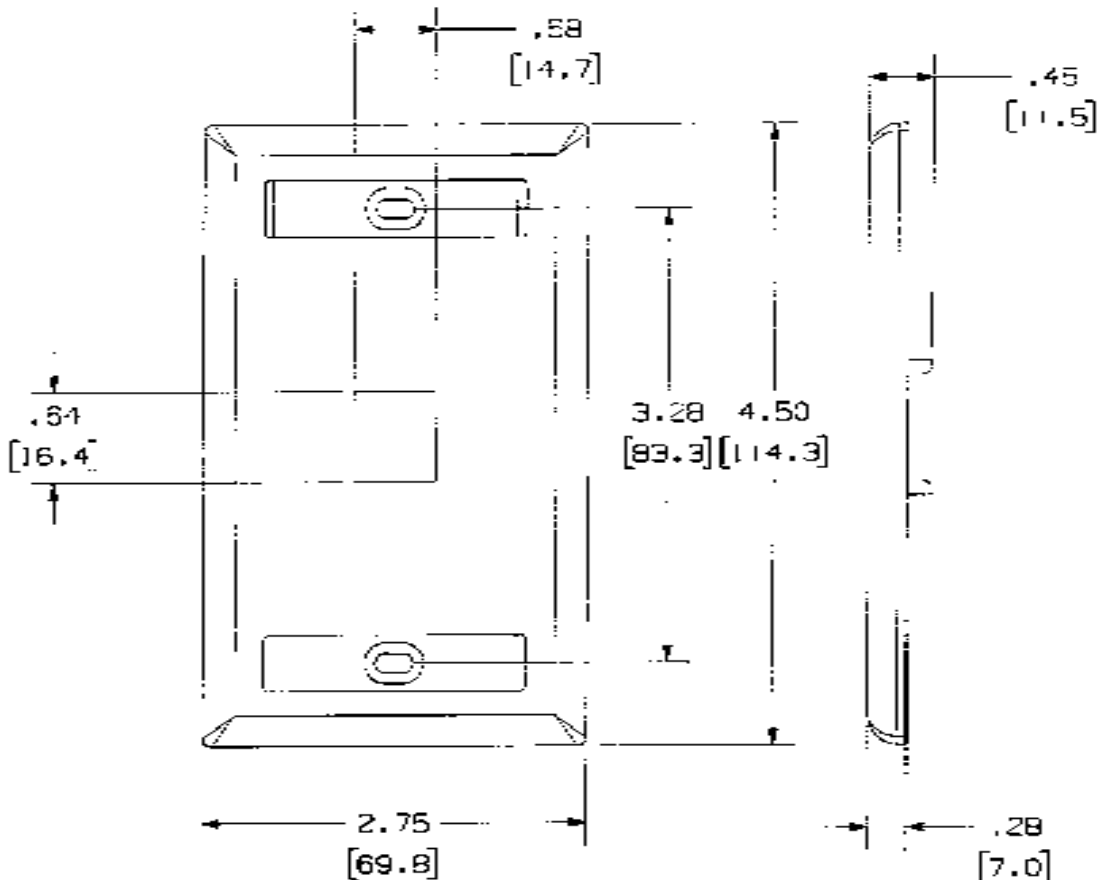


THIS COPY IS PROVIDED ON A RESTRICTED BASIS AND IS NOT TO BE USED IN ANY WAY DETRIMENTAL TO THE INTERESTS OF PANDUIT CORP.



PANDUIT P/N	WEIGHT
NKIF**Y	.49 LB/10 PCS (222 g/10 PCS)

- NOTES:
- SEE CURRENT CATALOG FOR ADDITIONAL PART SUFFIXES TO INDICATE COLOR AND OR PACKAGE QUANTITY.
  - FACEPLATE WILL ACCEPT ONE STANDARD NETKEY MODULE.
  - PART INCLUDES:
    - 1- FACEPLATE
    - 2- MOUNTING SCREW
    - 2- LABEL
    - 2- LABEL COVER
  - DIMENSIONS IN [ ] ARE IN METRIC.



MODEL FILENAME	MO068182_KEYSTONEFP_LOZ.PRT	SIZE	A
DRAWING FILENAME	MO2479RE_LO031_LO0A.PRT		
NETKEY J POSITION SINGLE GANG FACEPLATE WITH LABEL CUSTOMER DRAWING			
	<b>PANDUIT</b> CORP. TINLEY PARK, IL 60477	PART NUMBER	N/A
		INDUSTRY SPEC	N/A
		FORM INSTRUCTION	N/A
		SCALE	NONE
		PART NO.	NKIF**Y
		DRAWING NO.	02479-031

NETWORK SYSTEMS  
AUG 18 2006  
ENGINEERING DEPT

REV	DATE	BY	CHK	DESCRIPTION	ECN	R	CUST	SUP	OTH
1	7-28-06	JSF	MD	RELEASED TO PRODUCTION	02479-031	MD	MD		

DATE: 7-28-06  
DRAWN BY: JSF  
MATERIAL: ABS