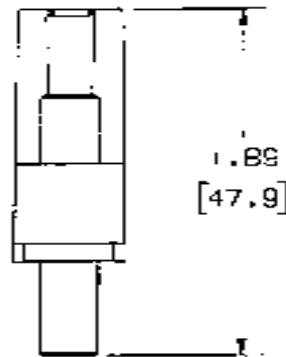


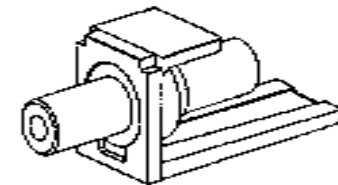
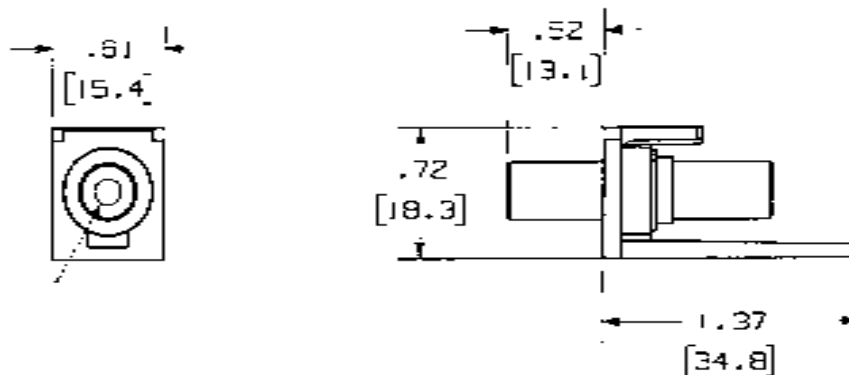
THIS COPY IS PROVIDED ON A RESTRICTED BASIS AND IS NOT TO BE USED IN ANY WAY DETRIMENTAL TO THE INTERESTS OF PANDUIT CORP.

PANDUIT P/N	WEIGHT
CM35MSC**Y	.08 LB/10 PCS (37.5 g/10 PCS)



NOTES:

- SEE CURRENT CATALOG FOR ADDITIONAL PART NUMBER SUFFIXES TO INDICATE COLOR AND CR PACKAGE QUANTITY.
- SEE CATALOG FOR COMPLETE LIST OF PARTS APPLICABLE FOR USE WITH THIS PART.
- DIMENSIONS IN PARENTHESES ARE IN METRIC.
- PART INCLUDES:
  - 1- MODULE BASE
  - 1- 3.5mm (1/8") HEAD PHONE JACK COUPLER (ASSEMBLED TO MODULE BASE)



NETWORK SYSTEMS  
MAY 25 2006  
ENGINEERING DEPT

MODEL FILENAME	VC2109AA_CM35MSC_L03.PRT	SIZE	A
DRAWING FILENAME	VC2479HF_L00190_L00A.PRT		
MINI-COM 3.5mm (1/8") HEAD PHONE JACK COUPLER MODULE CUSTOMER DRAWING			
	PANDUIT CORP. TINLEY PARK, ILL 60477	PART NUMBER	N/A
		PRODUCT SPEC	N/A
		WORK INSTRUCTION	N/A
		SCALE	NONE
		PART NO.	CM35MSC**Y
		DRAWING NO.	02479-190

REV	DATE	BY	CHK	DESCRIPTION	ECN	R	CUST	SUP	JTH
R	4-25-06	JSP		RELEASED TO PRODUCTION	02479-190				