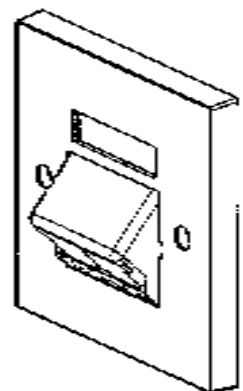
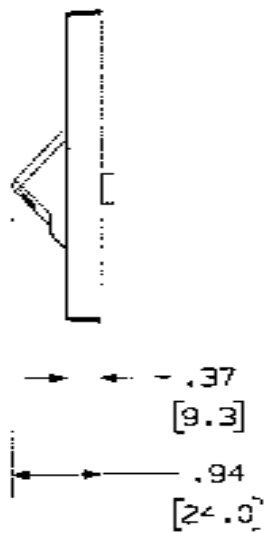
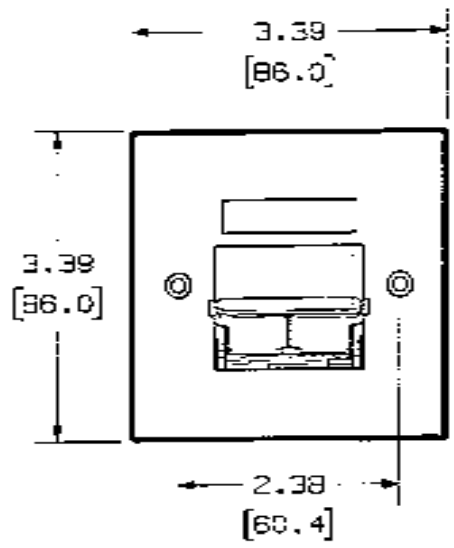




THIS COPY IS PROVIDED ON A RESTRICTED BASIS AND IS NOT TO BE USED IN ANY WAY DETRIMENTAL TO THE INTERESTS OF PANDUIT CORP.

PANDUIT P/N	WEIGHT
CFPUKS25**Y	.67 LB/10 PCS (303.9 g/10 PCS.)

- NOTES:
- SEE CURRENT CATALOG FOR ADDITIONAL PART NUMBER SUFFIXES TO INDICATE COLOR AND OR PACKAGE QUANTITY.
  - KIT INCLUDES:
    - CBLX\*\*Y BEZEL
    - CHS2S\*\* SHUTTERED INSERT
    - SCREW KIT (CONTAINING (2) SCREWS)
    - LABEL
    - LABEL COVER
  - DIMENSIONS IN [ ] ARE METRIC.



				NETWORK SYSTEMS			DRAWING FILENAME		MO2479GBLDC130_L00A.FRT	SIZE	A
				MAY 25 2006			MINI-COM 2 POSITION SLOPED SHUTTERED		J.K. 86mm x 86mm SINGLE GANG FACEPLATE KIT CUSTOMER DRAWING		
				ENGINEERING DEPT			 <b>PANDUIT</b> ™ CORP. TIMLEY PARK, ILL 60477		ALL DIMENSIONS ARE GIVEN IN INCHES UNLESS OTHERWISE SPECIFIED. DIMENSIONAL TOLERANCES ARE: 1.XI ± .005 1.XXX ± .001 ANGLES ±	MFG. METHOD N/A PRODUCT SPEC N/A WORK INSTRUCTION N/A SCALE NONE	
							 THIRD ANGLE PROJECTION		MATERIAL	PART NO.	
							DATE		ABS	CFPUKS25**Y	
REV	DATE	BY	CHK	DESCRIPTION	ECN	R	CUST	SUP	OTH	DWG NO.	82479-160
R	4-25-06	LEP	MB	RELEASED TO PRODUCTION	C2479-160						