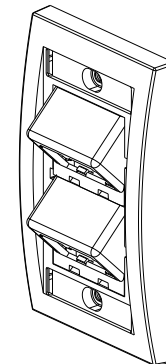
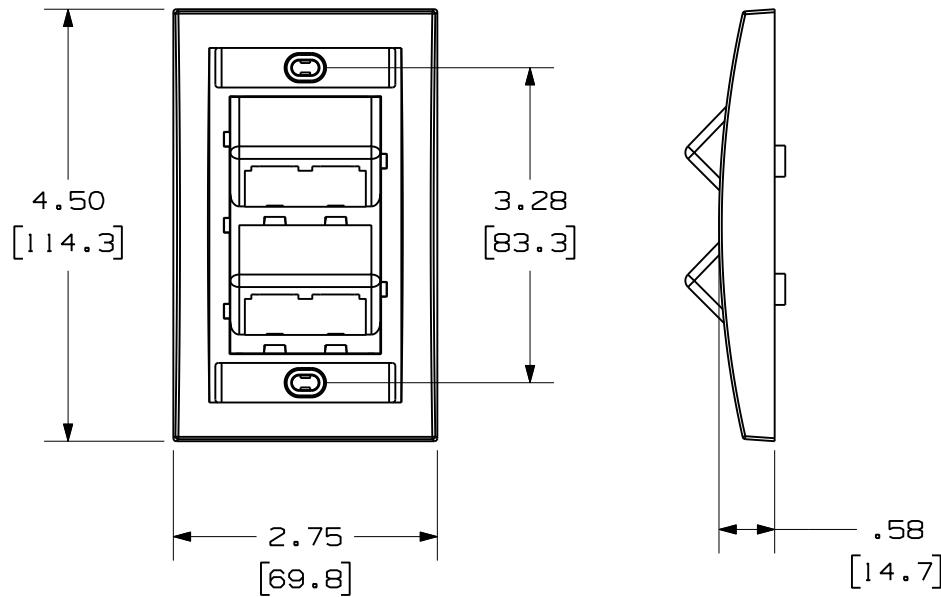


THIS COPY IS PROVIDED ON A RESTRICTED BASIS AND IS NOT TO BE USED IN ANY WAY DETRIMENTAL TO THE INTERESTS OF PANDUIT CORP.

PANDUIT P/N	WEIGHT
CFPSE4**Y	.91 LB/10 PCS (412.8 g/10 PCS.)

NOTES:

- SEE CURRENT CATALOG FOR ADDITIONAL PART NUMBER SUFFIXES TO INDICATE COLOR AND OR PACKAGE QUANTITY.
- SEE CATALOG FOR COMPLETE LIST OF PARTS APPLICABLE FOR USE WITH THIS PART.
- DIMENSIONS IN () ARE METRIC.
- PART INCLUDES:
 - 1- CBE** FACEPLATE FRAME
 - 2- #6-32 X 1" MOUNTING SCREW
 - 2- LABEL
 - 2- LABEL COVER
 - 2- CHS2**-X INSERT



MODEL FILENAME	D35544BF/02	SIZE	A
DRAWING FILENAME	M02479FA_DC133/00B		

MINI-COM SLOPED EXECUTIVE SERIES
FACEPLATE KIT CUSTOMER DRAWING



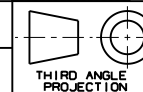
PANDUIT™
CORP.
TINLEY PARK, ILL 60477

I.I. NUMBER N/A

PRODUCT SPEC N/A

WORK INSTRUCTION N/A

SCALE NONE



ALL DIMENSIONS ARE GIVEN IN INCHES,
UNLESS OTHERWISE SPECIFIED,
DIMENSIONAL TOLERANCES ARE:
(.X) ± (.XXX) ± .010(.3)
(.XX) ± .031(.8) ANGLES ±

DRAWN BY JsP

DATE 4-27-06

CHK'D TCK

MATERIAL:

ABS

PART NO.
CFPSE4**Y

DRAWING NO.
02479-133

REV	DATE	BY	CHK	DESCRIPTION	ECN	R	CUST	SUP	OTH
I	7-01-09	MDJr	TCK	A. CHS2**-X WAS CHS2S**.	02479-133		MMR		
R	4-27-06	JsP		RELEASED TO PRODUCTION	02479-133				