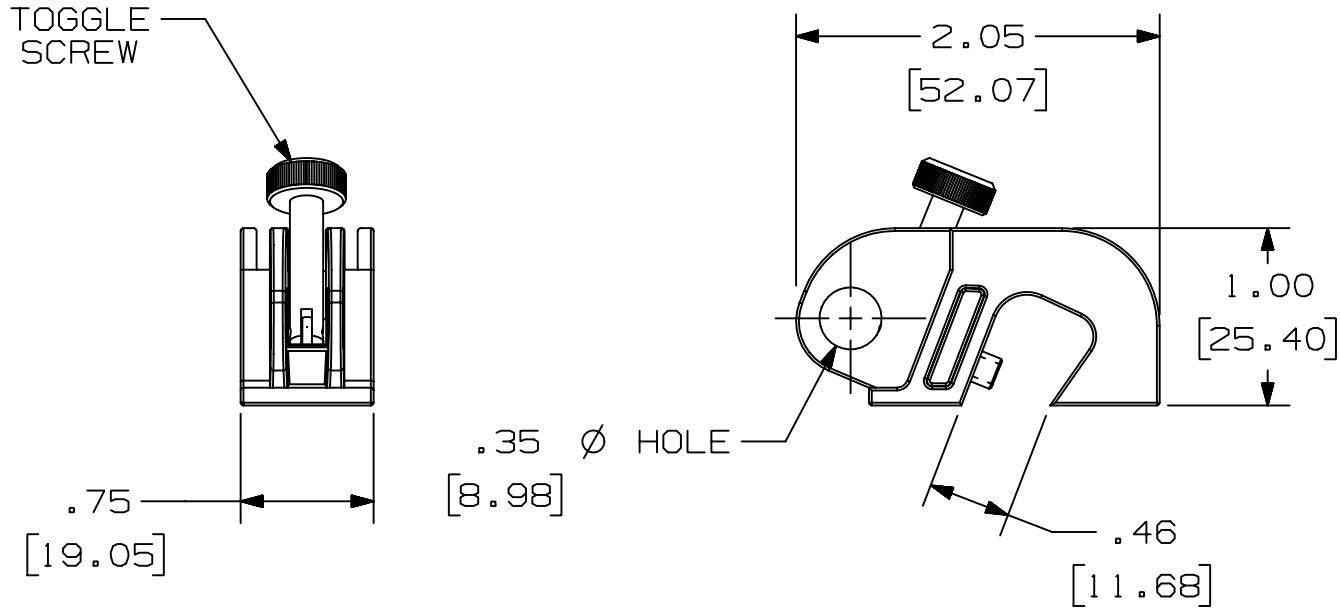


THIS COPY IS PROVIDED ON A RESTRICTED BASIS AND IS NOT TO BE USED IN ANY WAY DETRIMENTAL TO THE INTERESTS OF PANDUIT CORP.



NOTES:
1. MILLIMETERS ARE SHOWN IN BRACKETS.

										CAD FILENAME/LAYERS I00666CE_C10019_PSL-CBNT_00.prt					
										PANDUIT CORP. TINLEY PARK, ILLINOIS					
										PSL-CBNT LOCKOUT					
										UNLESS OTHERWISE SPECIFIED, DIMENSIONAL TOLERANCES ARE: (.X) ± (.XXX) ± (.XX) ±.010 (0.25) ANGLES ±		UNLESS OTHERWISE SPECIFIED, ALL DIMENSIONS ARE GIVEN IN INCHES, THIRD ANGLE PROJECTION.			
										DRAWN BY RVU		MAT'L; RED NYLON		SCALE NTS	
										DATE 3-28-03		DRAWING NO. C10019		DWG A	
										CHK'D				SIZE	
REV	DATE	BY	CHK	DESCRIPTION	ECN	-	R	CUST	SUP						
R	3-28-03	RVU		DRAWING RELEASE	3224		R								