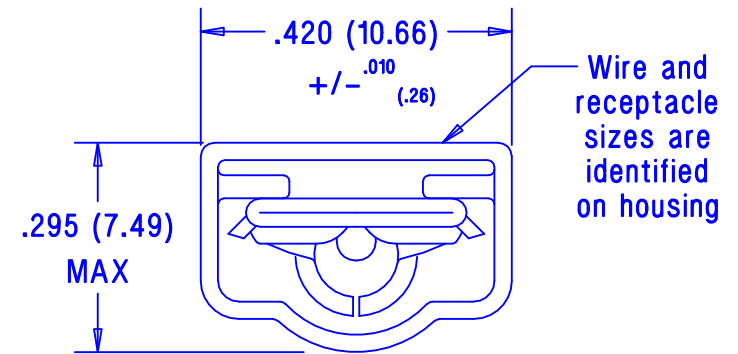
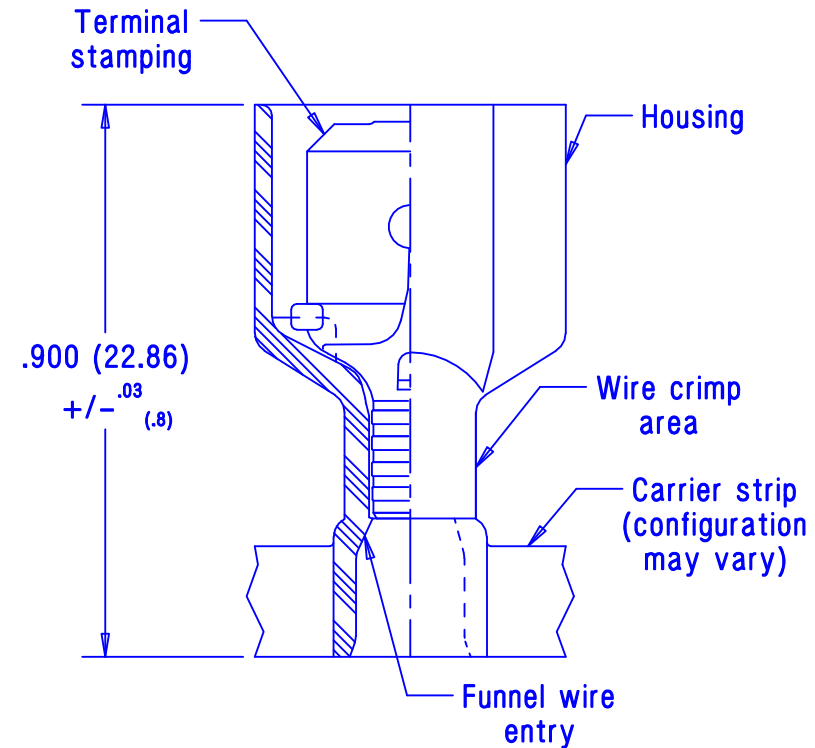


Part number	Wire range AWG	Color	Maximum insulation diameter	PRESSES & APPLICATORS:
				CP-861, CP-860, CP-851, CP-862 CA-800 & CA9
				CRIMP DIES:
DNF18-250FIM-2K	22-18 (0,5-1,0)	Red	.133 (3.38)	CD-800-4, CA9-4B
DNF14-250FIM-2K	16-14 (1,5-2,5)	Blue	.158 (4.01)	CD800-5, CA9-5B



Notes:

- Used for:
 - 600 V maximum rating
 - 221°F (105°C) maximum temperature rating (CSA)
 - 257°F (125°C) maximum temperature rating (UL)
 - Stranded copper wire only
- Wire strip length: $9/32^{+1/32}_{-0}$ (7.1⁺⁸₋₀)
- Material:
 - Stamping - .016 thick nickel plated brass
 - Housing - Nylon
- Package quantity:
 - 2K = 2000 pieces on continuously molded carrier strip
- Dimensions in brackets are in millimeters or mm²



A41104_08

08	12/03	KLFU		UPDATED WIRE RANGE ON DNF18 FROM 1.5 TO 1.0 CLARIFIED TOOLING CHART	11363		
07	1/01	SAB	--	FILESPEC WAS N41104AA_PCD_06	--	--	--
06	7/99	ED	SKB	ADDED CP-862 & CA9	07848	TRO	JCJ
05	1/99	JD	JW	Material was tin plated.	07402	LD	LCA



TINLEY PARK, ILLINOIS

Disco™ Termo™ fully insulated male disconnects
.250 X .032 Tab size

REV	DATE	BY	CHK	DESCRIPTION	ECN	PM	CUST	DRAWN BY	CHK'D	SCALE	DRAWING NO./CAD FILENAME
								DSM	LM	NONE	A41104