

# TC9200 Series Indoor Camera Mounts

www.boschsecurity.com



**BOSCH**  
Invented for life



- ▶ Sturdy Construction
- ▶ Attractive Appearance
- ▶ Versatile Design
- ▶ Adjustable
- ▶ Wide Selection of Styles

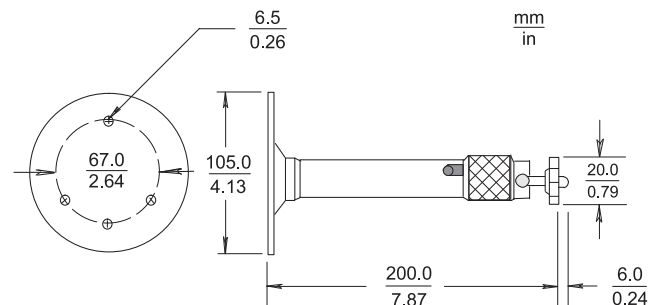
The TC9200 Series Indoor Camera Mounts can be used with CCD cameras with fixed and varifocal lenses. These sturdy, attractive mounts have fully adjustable mount heads and standard 1/4-20 camera mounting bolts. Maximum load capability ranges from 2 kg (4.4 lb) to 10 kg (22 lb). These versatile models can be used as pedestal, wall, or ceiling mounts and are well suited for use with CCD cameras.

## Functions

Model TC9208 is an economical 200 mm (8 in) general purpose mount for loads of up to 4 kg (8.8 lb). It has an aluminum finish and an adjustable sleeve ball mounting clamp for camera position adjustments. The TC9212 model is an extendible wall mount with a range of length from 244 mm to 414 mm (9.6 in to 16.3 in). It can accommodate loads of up to 10 kg (22 lb) in both the short and the fully extended configurations and features a quick release screw head for ease of camera positioning. The TC9210U indoor mount is configured for mounting cameras in indoor applications. It accommodates loads of up to 4.5 kg (10 lb) and is constructed of aluminum and steel, providing extremely rigid camera mounting.

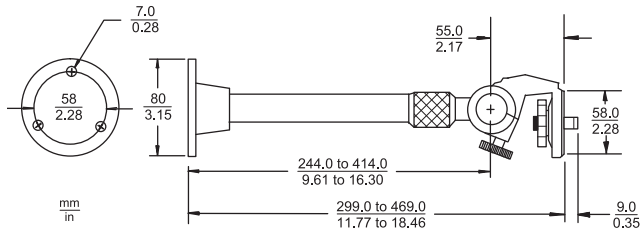
Featuring threaded extensions, this unit can be configured to three different lengths and is easily installed with the included mounting hardware. This unit can be used with many model CCD cameras.

## Installation/configuration notes



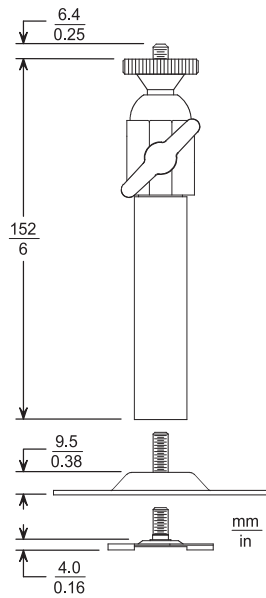
### TC9208 Indoor Camera Mount

Maximum Load	4 kg (8.8 lb)
Mounting Head	Adjustable 360° pan, 90° tilt
Mounting Bolt	Standard 1/4-20
Finish	Aluminum
Weight	230 g (0.44 lb)



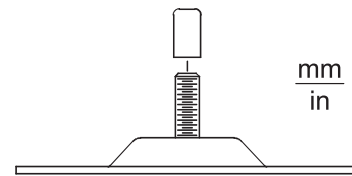
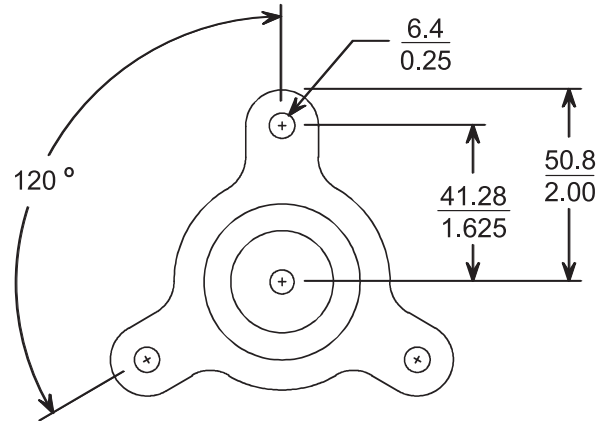
**TC9212 Indoor Camera Mount**

Maximum Load	10 kg (22 lb)
Mounting Head	Adjustable 360° pan, 90° tilt
Mounting Bolt	Standard 1/4-20
Finish	Aluminum and black
Weight	510 g (1.1 lb)

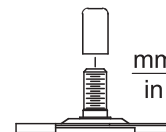
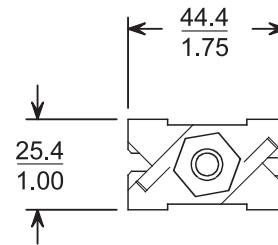


**TC9210U Indoor Camera Mount**

Maximum Load	4.5 kg (10 lb)
Mounting Head	Adjustable 360° pan, 180° tilt
Finish	Off-white semi-gloss acrylic
Weight:	
With Wall/Ceiling Flange	291 g (0.64 lb)
With T-Bar Clip	245 g (0.54 lb)



Wall/Ceiling Mount Flange, Included with TC9210U Solid Wall/Ceiling Mount



T-Bar Ceiling Clip

Included with TC9210U Solid Wall/Ceiling Mount.

**Ordering information**

**TC9208 Indoor Camera Mount**

general purpose mount, for 8-inch, 4 kg (8.8 lb) max load, aluminum finish  
Order number **TC9208**

**TC9201 Indoor Camera Mount**

deluxe general purpose mount, for 8-inch, 9 kg (20 lb) max load, black finish  
Order number **TC9201**

**TC9212 Indoor Camera Mount**

extendible wall mount, for 9.6-inch to 16.3-inch, 10 kg (22 lb) max load, aluminium/black finish  
Order number **TC9212**

---

**TC9203 Indoor Camera Mount**

universal wall/ceiling mount, right angle, 10 kg (22 lb) max load, aluminium/black finish  
Order number **TC9203**

---

**TC9205 Indoor Camera Mount**

for 5-inch, 2 kg (4.4 lb) max load, aluminum finish  
Order number **TC9205**

---

**TC9210U Indoor Camera Mount**

universal wall/ceiling grid, for 6-inch, 4.5 kg (10 lb) max load, off-white finish, incl. T-Bar ceiling clip and wall/ceiling mount flange  
Order number **TC9210U**

---

**TC9207 Indoor Camera Mount**

for 7-inch, 4 kg (8.8 lb) max load, aluminum/off-white finish  
Order number **TC9207**

---

**TC9210US Indoor Camera Mount**

universal wall/ceiling grid, for 6-inch, 4.5 kg (10 lb) max load, off-white finish, incl. T-Bar ceiling clip and wall/ceiling mount flange, silver  
Order number **TC9210US**

---

**Represented by:**

**Americas:**

Bosch Security Systems, Inc.  
130 Perinton Parkway  
Fairport, New York, 14450, USA  
Phone: +1 800 289 0096  
Fax: +1 585 223 9180  
security.sales@us.bosch.com  
www.boschsecurity.us

**Europe, Middle East, Africa:**

Bosch Security Systems B.V.  
P.O. Box 80002  
5617 BA Eindhoven, The Netherlands  
Phone: + 31 40 2577 284  
Fax: +31 40 2577 330  
emea.securitysystems@bosch.com  
www.boschsecurity.com

**Asia-Pacific:**

Robert Bosch (SEA) Pte Ltd, Security Systems  
11 Bishan Street 21  
Singapore 573943  
Phone: +65 6571 2808  
Fax: +65 6571 2699  
apr.securitysystems@bosch.com  
www.boschsecurity.asia

**China:**

Bosch (Shanghai) Security Systems Ltd.  
201 Building, No. 333 Fuquan Road  
North IBP  
Changning District, Shanghai  
200335 China  
Phone +86 21 22181111  
Fax: +86 21 22182398  
www.boschsecurity.com.cn

**America Latina:**

Robert Bosch Ltda Security Systems Division  
Via Anhanguera, Km 98  
CEP 13065-900  
Campinas, Sao Paulo, Brazil  
Phone: +55 19 2103 2860  
Fax: +55 19 2103 2862  
latam.boschsecurity@bosch.com  
www.boschsecurity.com