

# Standard Resolution Mini Bullet Camera

[www.boschsecurity.com](http://www.boschsecurity.com)



**BOSCH**

Invented for life



Advantage Line

The VTC-204 Mini Bullet Cameras provide reliable video surveillance in a rugged, yet compact enclosure. The cameras are suitable for indoor and outdoor applications, and deliver 380TVL of color imaging. Models are available with a 3.6 mm lens to cover a variety of applications. The VTC-204 includes a versatile mounting bracket and three mounting screws suitable for soft walls, surfaces and ceilings. Constructed of anodized aluminum, the VTC-204 cameras are compact and discreet, providing round the clock surveillance. The cameras are true plug-and-play. No focus adjustment is needed, and the camera's settings auto-adjust to the scene when power is applied.

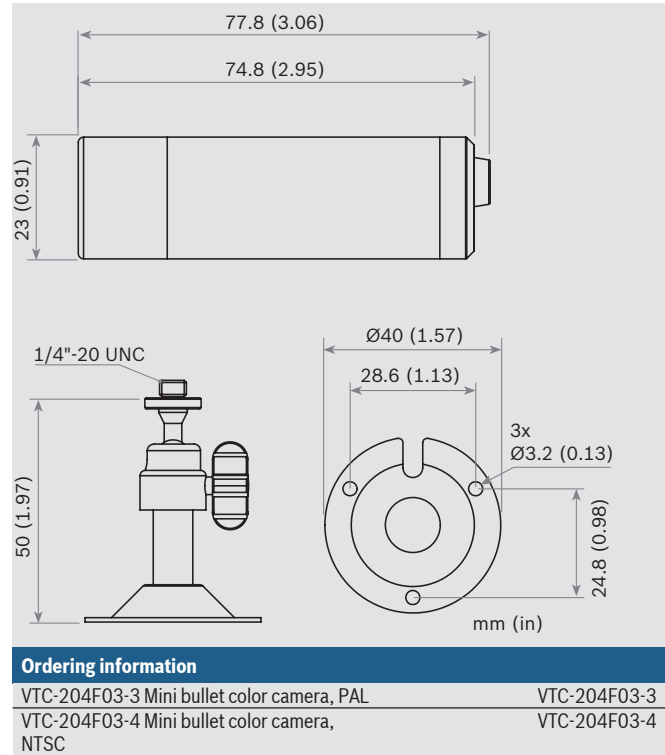
## Features

- ▶ Quality color image (380 TVL)
- ▶ Wide field of view
- ▶ Indoor and outdoor applications
- ▶ Discreet and easy mounting

## 2 | Standard Resolution Mini Bullet Camera

### Technical specifications

Video	
CCD Camera	1/3-inch SuperHAD CCD
Effective pixels (HxV)	500x582 (PAL) 510x492 (NTSC)
Color Resolution	380 TVL (min.)
Electronics shutter	1/50 to 1/120,000 s (PAL) 1/60 to 1/120,000 s (NTSC)
Output Signal	1 VPP composite video, 75 ohm
Output connection	BNC connector
S/N Ratio	Greater than 45 dB
Gamma	0.45
Minimum Illumination	0.5 lx at F2.0 / 30IRE
Lens	3.6 mm fixed
Mechanical	
Housing	Compact, water resistant
Construction	Robust aluminum
Weight	79 g (0.174 lb) approximately
Electrical	
Power	12 VDC, 120 mA max.
Power Supply	Not included
Environmental	
Operational Temp.	-10 °C to +50 °C (+14 °F to +122 °F)
Storage Temp.	-20 °C to +60 °C (-4 °F to +140 °F)
Environment	IP67 certified
Certifications and approvals	
Region	Certification
Europe	CE
Standards	
	ANSI C63.4: 2003
	FCC Part 15 subpart B, Class A Digital Devices
	UL 60065, 7th Edition, 2007-12-11
	CAN/CSA-C22.2 No. 60065-03, 1st Edition, 2006-04 + A1:2006
	EN55022:2006, Class A
	EN50130-4:1995 +A2:2003
	EN61000-3-2:2006
	EN61000-3-3:2008
	LVD 2006/95/EC
	EN60065:2002 + A1:2006 + A11:2008
	IP67, IEC 60529 (2001)
Dimensions	



### Ordering information

VTC-204F03-3 Mini bullet color camera, PAL	VTC-204F03-3
VTC-204F03-4 Mini bullet color camera, NTSC	VTC-204F03-4

### Represented by:

#### Americas:

Bosch Security Systems, Inc.  
130 Perinton Parkway  
Fairport, New York, 14450, USA  
Phone: +1 800 289 0096  
Fax: +1 585 223 9180  
security.sales@us.bosch.com  
www.boschsecurity.us

#### Europe, Middle East, Africa:

Bosch Security Systems B.V.  
P.O. Box 80002  
5617 BA Eindhoven, The Netherlands  
Phone: +31 40 2577 284  
Fax: +31 40 2577 330  
emea.securitysystems@bosch.com  
www.boschsecurity.com

#### Asia-Pacific:

Robert Bosch (SEA) Pte Ltd, Security Systems  
11 Bishan Street 21  
Singapore 573943  
Phone: +65 6571 2808  
Fax: +65 6571 2699  
apr.securitysystems@bosch.com  
www.boschsecurity.asia

#### China:

Bosch (Shanghai) Security Systems Ltd.  
201 Building, No. 333 Fuquan Road  
North IBP  
Changning District, Shanghai  
200335 China  
Phone +86 21 22181111  
Fax: +86 21 22182398  
www.boschsecurity.com.cn

#### America Latina:

Robert Bosch Ltda Security Systems Division  
Via Anhanguera, Km 98  
CEP 13065-900  
Campinas, Sao Paulo, Brazil  
Phone: +55 19 2103 2860  
Fax: +55 19 2103 2862  
latam.boschsecurity@bosch.com  
www.boschsecurity.com