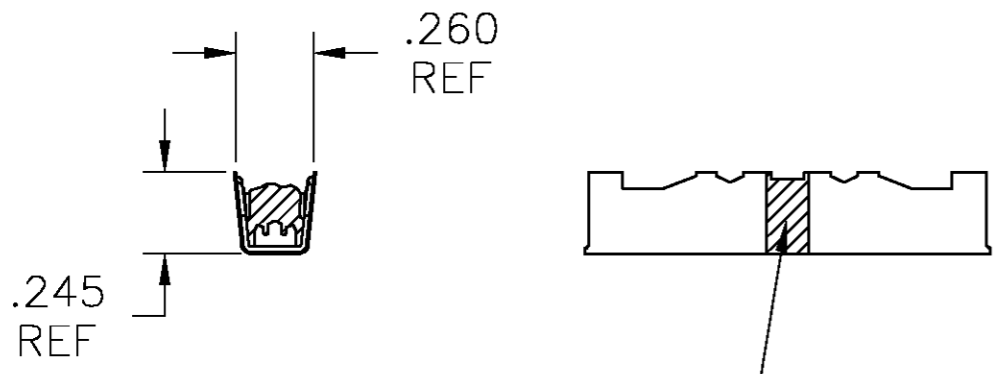
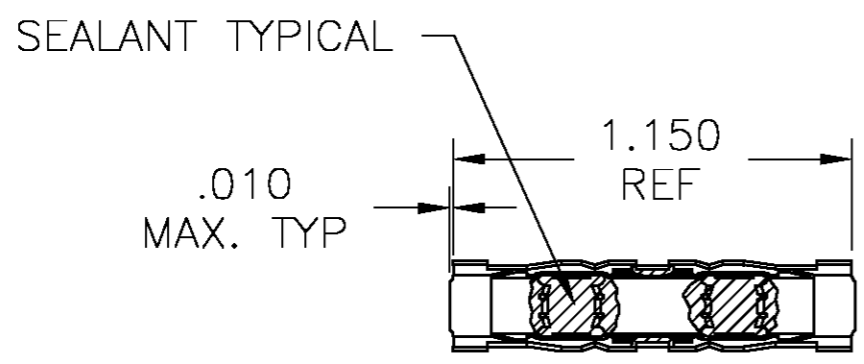


THIS DRAWING IS UNPUBLISHED. RELEASED FOR PUBLICATION  
 © COPYRIGHT BY TYCO ELECTRONICS CORPORATION. ALL RIGHTS RESERVED.

LOC	DIST	REVISIONS			
P	LTR	DESCRIPTION	DATE	DWN	APVD
	K	REV - EC 0340-0011-03	01APR03	LHS	AK



- 1 TIN PLATED BRASS ON PURPLE STRIPED POLYESTER FILM WITH ENCAPSULATED SEALANT.
- 2 TIN PLATED PH BRZ ON PURPLE STRIPED POLYESTER FILM WITH ENCAPSULATED SEALANT.
- 3. CONSULT APPROPRIATE PRODUCT INFORMATION BULLENTINS AND SPEC FOR WIRE RANGE AND APPLICATION DATA.
- 4 PACKAGED 250 PIECES PER CARTON.

4	61226-3
2	61226-2
1	61226-1
REMARKS	PART NO

THIS DRAWING IS A CONTROLLED DOCUMENT.		DWN L. H. SMITH 01APR2003	Tyco Electronics Corporation Harrisburg, PA, 17105-3608		
DIMENSIONS: INCHES		CHK L. H. SMITH 01APR2003			
		APVD A. KINKA 01APR2003	NAME CONN, W/R, PURPLE, PICABOND		
TOLERANCES UNLESS OTHERWISE SPECIFIED:		PRODUCT SPEC	-		
0 PLC ± - 1 PLC ± - 2 PLC ± - 3 PLC ± - 4 PLC ± - ANGLES ± -		APPLICATION SPEC	-		
MATERIAL		WEIGHT	SIZE A3	CAGE CODE 00779	DRAWING NO 61226
FINISH		CUSTOMER DRAWING		RESTRICTED TO	-
-1 2		SCALE 2:1		SHEET 1 OF 1	REV K