

## Flush Mount Speaker for FlexMount Cameras



- Easily mounted
- Speaker can be tilted 20°
- High-quality metal design
- Suitable for all S14/S15 (Mono and Dual)

The **SpeakerMount** is an external speaker that can be connected directly to the S15M/S15D FlexMount camera per two-wire cable (no additional power supply unit needed). It is available in two colors: white and matt chrome. The high-quality SpeakerMount is factory-installed in the HaloMount system with its functional 20° tilt mechanism and is mounted to a ceiling or a wall in the same way as the HaloMount. The SpeakerMount is not suited for unprotected outdoor usage (humidity).



Temperature range: 0 to +60°C; IP Code: IP20; impedance: 8 ohm; speaker material: metal with perforated plate covering; connection type: two-wired strand, clamp included; maximal length of speaker cable: 2 m.

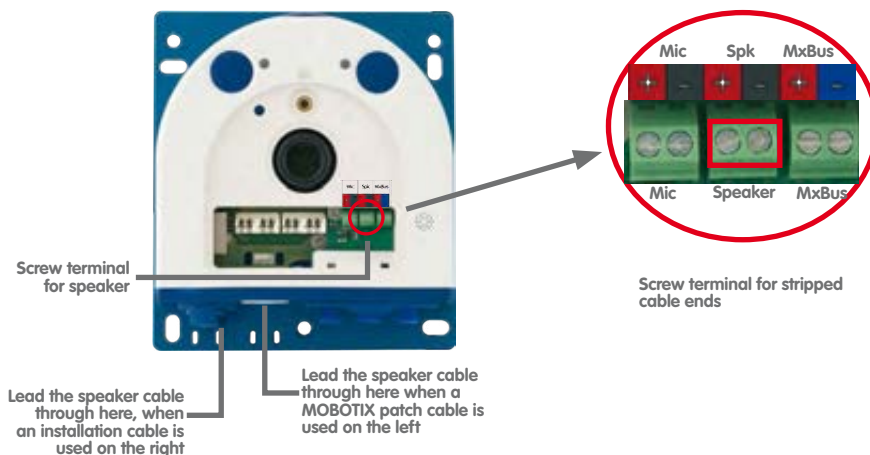
### Delivered Parts



Item	Number	Part Name
1.1	1	SpeakerMount
1.2	1	Cable with clamp

### Connecting the Camera

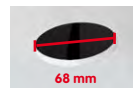
Connect a suitable two-wire cable (**cable diameter** without wire-end sleeve: 0,15 - 0,5 mm<sup>2</sup>, **cable diameter** with wire-end sleeve: 0,25 - 0,34 mm<sup>2</sup>) to the camera as described in the **S14/S15 camera manual**. When you puncture the white single wire plug to insert the wires ensure that the camera remains leakproof. You can connect only **one speaker per camera**.



### Installation

#### 1. Prepare opening

Prepare a circular opening with a diameter of 68 mm using a holesaw.



#### 2. Prepare cable

Lead the speaker cable through the opening and allow it to protrude through (the longer it extends, the easier the installation). Strip the cable ends (of the cable connected to the camera) and attach, if necessary, wire-end sleeves.



#### 3. Connect cable with the cable clamp

Push the unlocking device of the cable clamp down, feed the cable into it and release the device to secure it. Since only one speaker can be connected to the camera, polarity does here not matter.



#### 4. Insert SpeakerMount

Push the two spring clamps of the outer ring upwards (caution: springs are pre-loaded!) and insert the SpeakerMount into the opening. The inner ring can be tilted up to 20°. Note that the position of the two spring clamps determines the position of the inner ring's swivel axis and, therefore, the position of the speaker.



#### 5. Remove SpeakerMount

Tilt the speaker up to the stop and press hard on one side of its edge to loosen it. You can then remove it. You can also remove or replace the entire SpeakerMount.



**Note:** When using a microphone, make sure that you position the microphone at least 15 cm away from the speaker (acoustic decoupling).

#### HiRes Video Innovations

The German company MOBOTIX AG is known as the leading pioneer in network camera technology and its decentralized concept has made high-resolution video systems cost efficient.

MOBOTIX AG • D-67722 Langmeil • Tel: +49 6302 9816-0 • Fax: +49 6302 9816-190 • info@mobotix.com