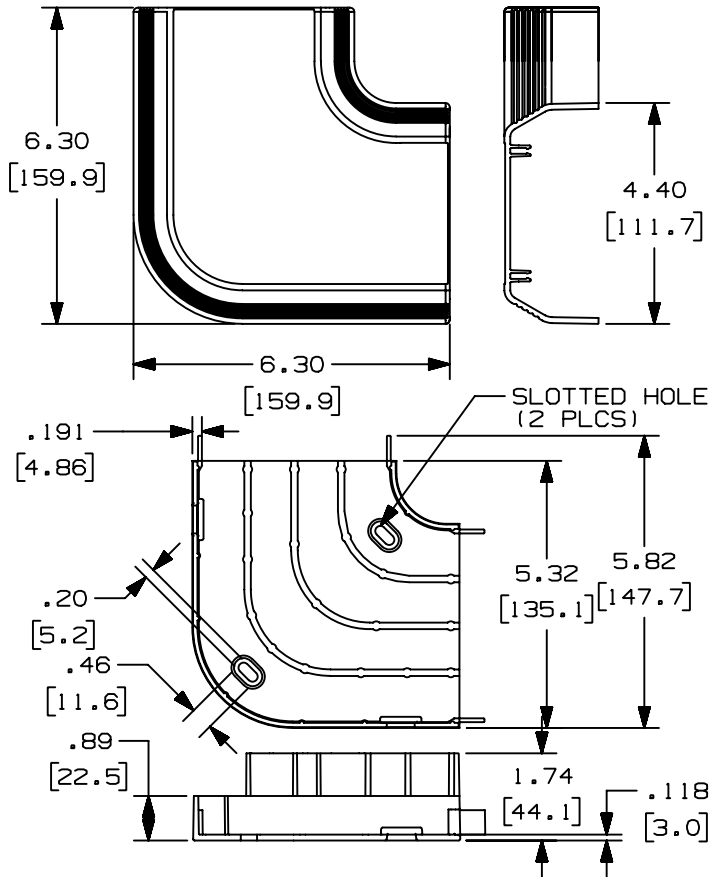


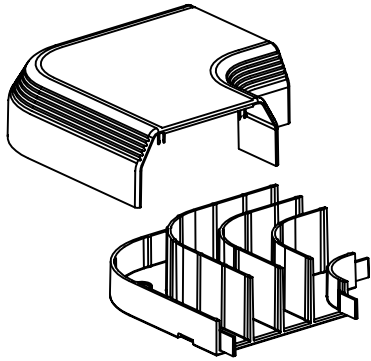
THIS COPY IS PROVIDED ON A RESTRICTED BASIS AND IS NOT TO BE USED IN ANY WAY DETRIMENTAL TO THE INTERESTS OF PANDUIT CORP.



PANDUIT P/N	WEIGHT
T70RA	6.37 LBS/10 PCS. 2893 G/10 PCS.



- NOTES:
1. SEE CURRENT CATALOG FOR ADDITIONAL PART SUFFIXES TO INDICATE COLOR AND OR PACKAGE QUANTITY.
  2. THIS PRODUCT IS INTENDED TO BE USED TO JOIN SECTIONS OF RACEWAY TO MAKE HORIZONTAL 90° (RIGHT ANGLES).
  3. DIMENSIONS IN PARENTHESIS ARE IN METRIC.



CAD FILENAME/LAYERS D35541BT\_T70RAC\_C\_02.PRT

PANDUIT CORP. TINLEY PARK, ILLINOIS

**A** T-70 RIGHT ANGLE (T70RA)  
CUSTOMER DRAWING

UNLESS OTHERWISE SPECIFIED,  
DIMENSIONAL TOLERANCES ARE:  
(.X) ± (.XXX) ± .010(.3)  
(.XX) ± .03(.8) ANGLES ±

UNLESS OTHERWISE SPECIFIED,  
ALL DIMENSIONS ARE GIVEN  
IN INCHES, THIRD ANGLE PROJECTION.

REV	DATE	BY	CHK	DESCRIPTION	ECN	CHK	CUST	SUP
I	06-04-99	DW	HIW	C. DWG WAS FROM TWO SHEETS; D. REV'D WEIGHT. A. REV'D TITLE NAME; B. MAT'L WAS ABS/PC.	35541-21	HIW	HIW	
R	09-19-96	JBA	CEF	RELEASED TO PRODUCTION	35541-21	CEF	CEF	

DRAWN BY  
JBA

MAT'L:  
PVC

SCALE  
NONE

DATE  
09-19-96

CHECKED BY  
CEF

DRAWING NO.  
35541-21

DWG  
A



SIZE