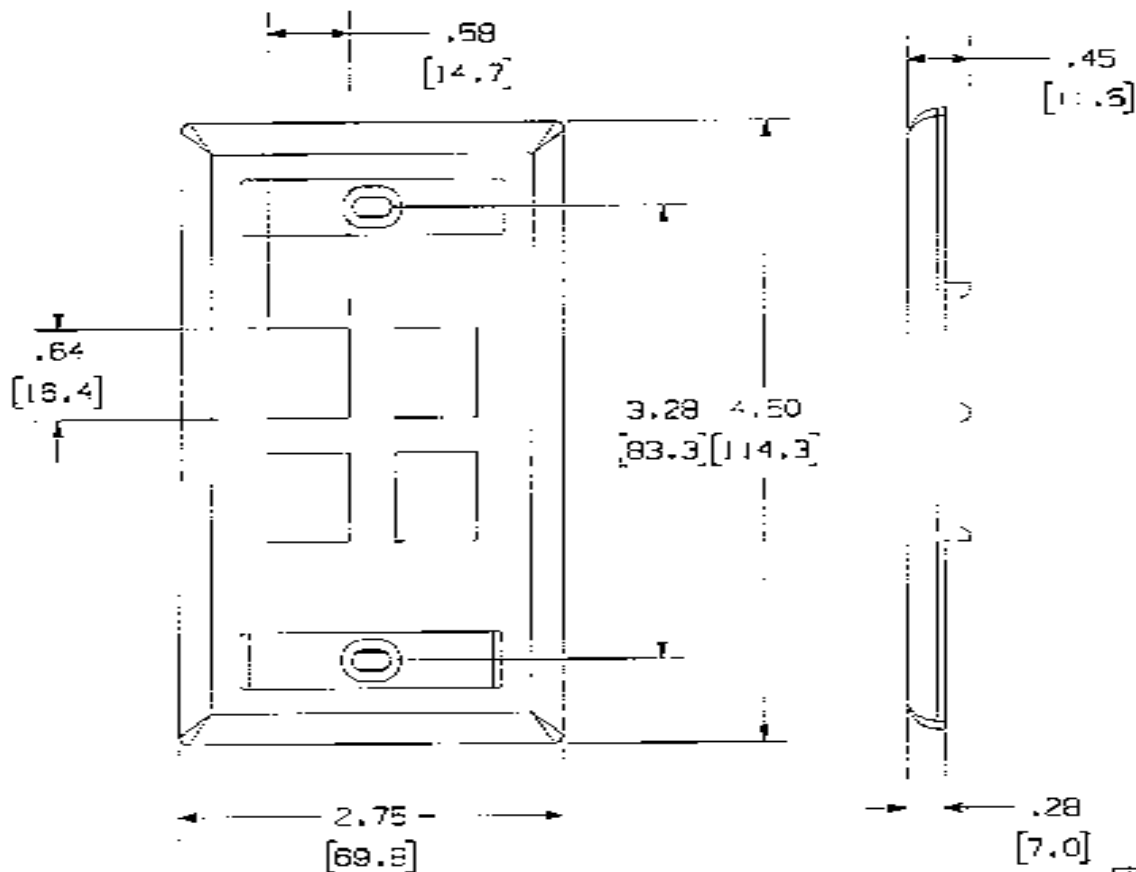


THIS COPY IS PROVIDED ON A RESTRICTED BASIS AND IS NOT TO BE USED IN ANY WAY DETRIMENTAL TO THE INTERESTS OF PANDUIT CORP.

PANDUIT P/N	WEIGHT
NK4F**Y	.50 LB/10 PCS 1229 g/10 PCS

NOTES:

- SEE CURRENT CATALOG FOR ADDITIONAL PART SUFFIXES TO INDICATE COLOR AND OR PACKAGE QUANTITY.
- FACEPLATE WILL ACCEPT FOUR STANDARD NETKEY MODULES.
- PART INCLUDES:
 - FACEPLATE
 - MOUNTING SCREW
 - LABEL
 - LABEL COVER
- DIMENSIONS IN [] ARE IN METRIC.



MODEL FILENAME	M0086130_LKRYSTONEFFPA_01.PRT	SIZE	A
DRAWING FILENAME	M0247936_LC033_03A.PRT		

NETKEY 4 POSITION SINGLE GANG
FACEPLATE WITH LABEL
CUSTOMER DRAWING

NETWORK SYSTEMS
AUG 18 1995
ENGINEERING DEPT

<p>PANDUIT® TINLEY PARK, IL 60477</p>	U.S. NUMBER	N/A
	PRODUCT SPEC	N/A
	WORK INSTRUCTION	N/A
	SOURCE	MOVT
<p>ALL DIMENSIONS ARE GIVEN IN INCHES UNLESS OTHERWISE SPECIFIED. DIMENSIONAL TOLERANCES ARE: 1.X3 ±.02 1.XXXX ±.001 1.XXX ±.01 ANGLES ± 1°</p>	PART NO.	NK4F**Y
<p>DATE 7-23-95</p>	DRAWING NO.	02479-033

REV	DATE	BY	CHK	DESCRIPTION	ECN	R	CUST	SLP	DTH
R	7-23-95	JSP		RELEASED TO PRODUCTION	02479-033				