

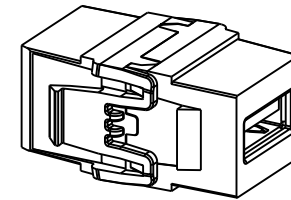
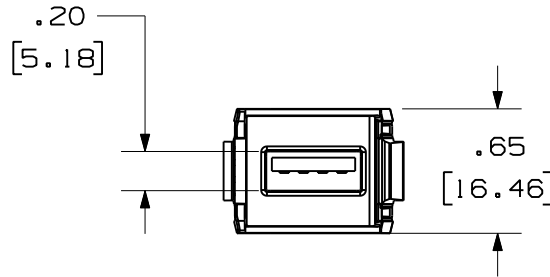
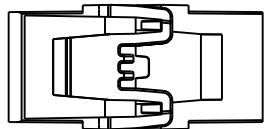
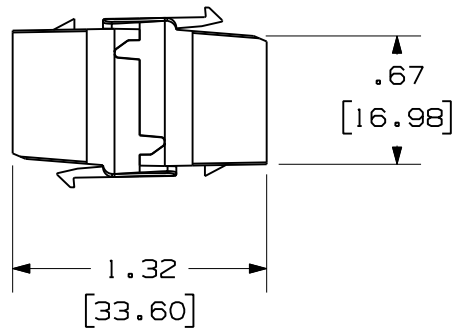
THIS COPY IS PROVIDED ON A RESTRICTED BASIS AND IS NOT TO BE USED IN ANY WAY DETRIMENTAL TO THE INTERESTS OF PANDUIT CORP.

PANDUIT PART#	WEIGHT
NKUSBAA**	.02 LB/EACH PC (9.17 g/EACH PC)
IAPNKUSBAAWH	



NOTES:

1. SEE CURRENT CATALOG FOR ADDITIONAL PART NUMBER SUFFIXES TO INDICATE COLOR AND OR PACKAGE QUANTITY.
2. SEE CATALOG FOR COMPLETE LIST OF PARTS APPLICABLE FOR USE WITH THIS PART.
3. DIMENSIONS IN [] ARE METRIC.

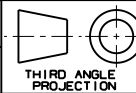


MODEL FILENAME	M03197AA/00	SIZE	A
DRAWING FILENAME	M03197AA_DC14/00B		

NETKEY USB 2.0 FEMALE A TO FEMALE A COUPLER MODULE CUSTOMER DRAWING

PANDUIT[®]
TINLEY PARK, IL 60487

I.I. NUMBER	N/A
PRODUCT SPEC/ PKG SPEC	N/A
ASSY METHOD/ TEST METHOD	N/A
SCALE	1:1



ALL DIMENSIONS ARE GIVEN IN INCHES, UNLESS OTHERWISE SPECIFIED.
DIMENSIONAL TOLERANCES ARE:
(.X) ±.03 (.XXX) ±.005
(.XX) ±.01 ANGLES ± 1°

DRAWN BY	MDJr	REVIEW DRAWING NUMBERS	PART NO.	SEE TABLE
DATE	8-18-09	MAT'L	DRAWING NO.	03197-14
CHK'D	HMK			

REV	DATE	BY	CHK	DESCRIPTION	ECN	R	CUST	SUP	OTH
I	6-6-11	BJN	JCO	A. ADDED SUPPLEMENTAL P/N IAPNKUSBAAWH	03173-14	JCO	JCO		
R	9-17-09	MDJr	HMK	RELEASED TO PRODUCTION	03173-14	HMK	HMK		