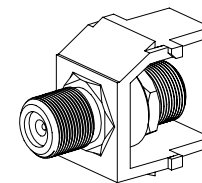
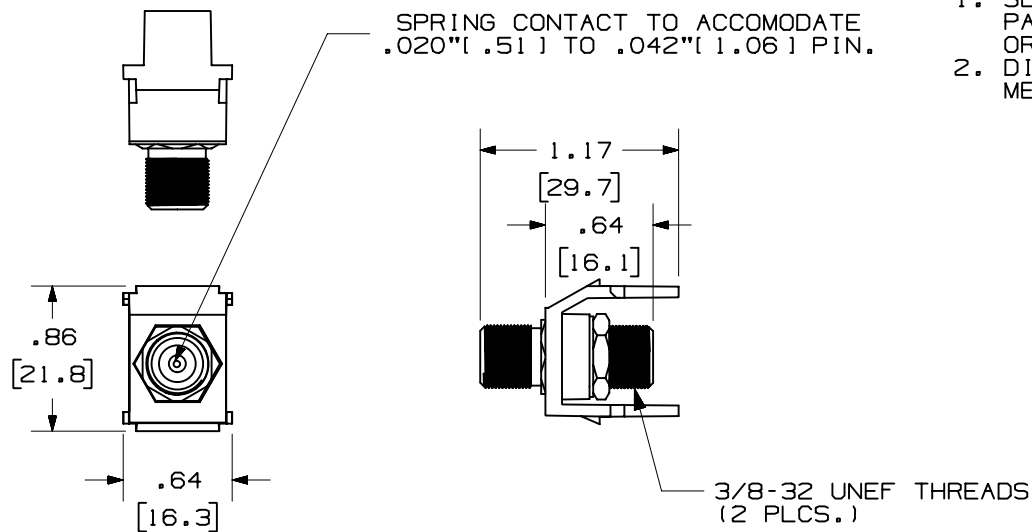


THIS COPY IS PROVIDED ON A RESTRICTED BASIS AND IS NOT TO BE USED IN ANY WAY DETRIMENTAL TO THE INTERESTS OF PANDUIT CORP.

PANDUIT P/N	WEIGHT
NKF**	.25 LB/10 PCS (115 g/10 PCS)

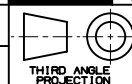
NOTES:

1. SEE CURRENT CATALOG FOR ADDITIONAL PART SUFFIXES TO INDICATE COLOR AND OR PACKAGE QUANTITY.
2. DIMENSIONS IN PARENTHESES ARE IN METRIC.



MODEL FILENAME	M01557AB_NK_F_ASSY_00.PRT	SIZE	A
DRAWING FILENAME	M01557AB_DC_00A.PRT		

NETKEY™ F-TYPE COUPLER  
MODULE CUSTOMER DRAWING



ALL DIMENSIONS ARE GIVEN IN INCHES, UNLESS OTHERWISE SPECIFIED.  
DIMENSIONAL TOLERANCES ARE:  
(.X) ±.03 (.XXX) ±.005  
(.XX) ±.01 ANGLES ± 1°

I.I. NUMBER	N/A
PRODUCT SPEC	N/A
WORK INSTRUCTION	N/A
SCALE	NONE
PART NO.	NKF**
DRAWING NO.	01557-05

REV	DATE	BY	CHK	DESCRIPTION	ECN	R	CUST	SUP	OTH
R	3-16-04	JsP		RELEASED TO PRODUCTION.	01557-05				

DRAWN BY	JsP
DATE	3-16-04
CHK'D	

MATERIAL:  
MODULE BASE: ABS  
COUPLER- NICKEL  
PLATED BRASS