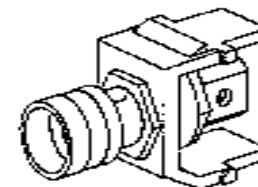
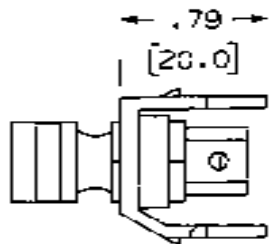
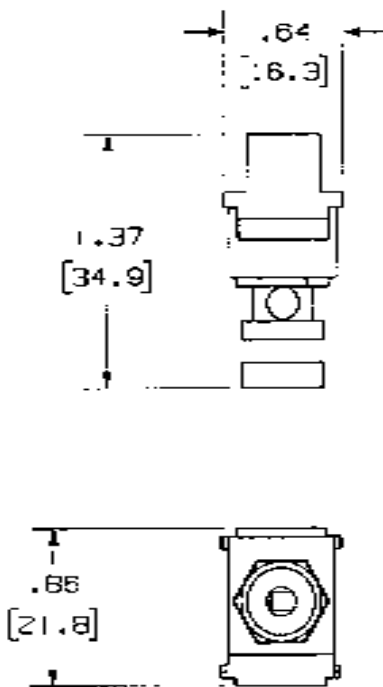


THIS COPY IS PROVIDED ON A RESTRICTED BASIS AND IS NOT TO BE USED IN ANY WAY DETRIMENTAL TO THE INTERESTS OF PANDUIT CORP.



PANDUIT P/N	WEIGHT
NKBPB**Y	.25 LB/10 PCS (115.2 g/10 PCS)
NKBPB**Y	.25 LB/10 PCS (115.2 g/10 PCS)

NOTES:

1. SEE CURRENT CATALOG FOR ADDITIONAL PART NUMBER SUFFIXES TO INDICATE COLOR AND OR PACKAGE QUANTITY.
2. SEE CATALOG FOR COMPLETE LIST OF PARTS APPLICABLE FOR USE WITH THIS PART.
3. DIMENSIONS IN PARENTHESES ARE IN METRIC.

NETWORK SYSTEMS

MAY 25 2006

ENGINEERING DEPT

MODEL FILENAME	M0074_A0LV4BPM_00.PRT	SIZE	A
DRAWING FILENAME	M0247915_D0228_00A.PRT		
<b>NETKEY 5-WAY BINDING POST MODULE CUSTOMER DRAWING</b>			
	<b>PANDUIT</b> ™ CORP. INLEY PARK, ILL 60477	1:1 - HEADER	N/A
	ALL DIMENSIONS ARE GIVEN IN INCHES, UNLESS OTHERWISE SPECIFIED. DIMENSIONAL TOLERANCES ARE: 1.X1 ± .005 1.XXX1 ± .003 1.XX2 ± .01 1.9 ANGLES ±	PRODUCT SPEC	N/A
DRAWN BY	WSP	WORK INSTRUCT ON	N/A
DATE	4-18-06	SCALE	NONE
REV	7	DATE	4-18-06
BY	WSP	DESCRIPTION	RELEASED TO PRODUCTION
CHK	WSP	ECN	22479-228
		R	
		QUST	
		SUP	
		CTH	
		MODULE - ABS	
		CONNECTOR - GOLD PLATED	
		PART NO.	NKBPB**Y NKBPB**Y
		DRAWING NO.	02479-229

REV	DATE	BY	CHK	DESCRIPTION	ECN	R	QUST	SUP	CTH
7	4-18-06	WSP	WSP	RELEASED TO PRODUCTION	22479-228				