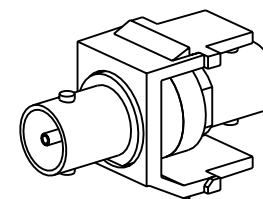
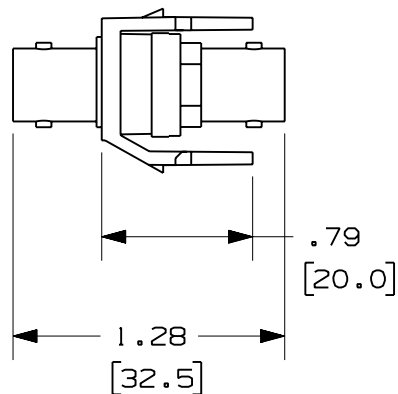
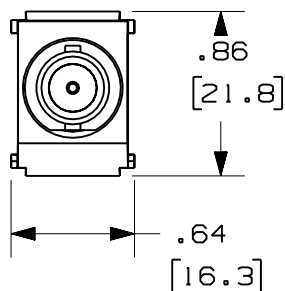


THIS COPY IS PROVIDED ON A RESTRICTED BASIS AND IS NOT TO BE USED IN ANY WAY DETRIMENTAL TO THE INTERESTS OF PANDUIT CORP.

PANDUIT P/N	WEIGHT
NKBNCM**Y	.36 LB/10 PCS (165 g/10 PCS)

**NOTES:**


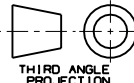
1. SEE CURRENT CATALOG FOR ADDITIONAL PART NUMBER SUFFIXES TO INDICATE COLOR AND OR PACKAGE QUANTITY.
2. SEE CATALOG FOR COMPLETE LIST OF PARTS APPLICABLE FOR USE WITH THIS PART.
3. DIMENSIONS IN PARENTHESES ARE IN METRIC.
4. PART INCLUDES:
  - 1- MODULE BASE
  - 1- BNC COUPLER (ASSEMBLED TO MODULE BASE)



MODEL FILENAME	M00661ZG_BNC_03.PRT	SIZE <b>A</b>
DRAWING FILENAME	M02479HU_205_00A.PRT	

**NETKEY 50ohm BNC COUPLER  
MODULE CUSTOMER DRAWING**

REV	DATE	BY	CHK	DESCRIPTION	ECN	R	CUST	SUP	OTH
R	4-24-06	JsP		RELEASED TO PRODUCTION	02479-205				

 <b>PANDUIT</b> <sup>®</sup> CORP. TINLEY PARK, IL 60477	I.I. NUMBER	N/A
	PRODUCT SPEC	N/A
	WORK INSTRUCTION	N/A
	SCALE	NONE
 THIRD ANGLE PROJECTION	ALL DIMENSIONS ARE GIVEN IN INCHES, UNLESS OTHERWISE SPECIFIED. DIMENSIONAL TOLERANCES ARE: (.X) ±.03    (.XXX) ±.005 (.XX) ±.01    ANGLES ± 1°	PART NO. <b>NKBNCM**Y</b>
DRAWN BY JsP	MATERIAL:  ABS	DRAWING NO. <b>02479-205</b>
DATE 4-24-06		
CHK'D		