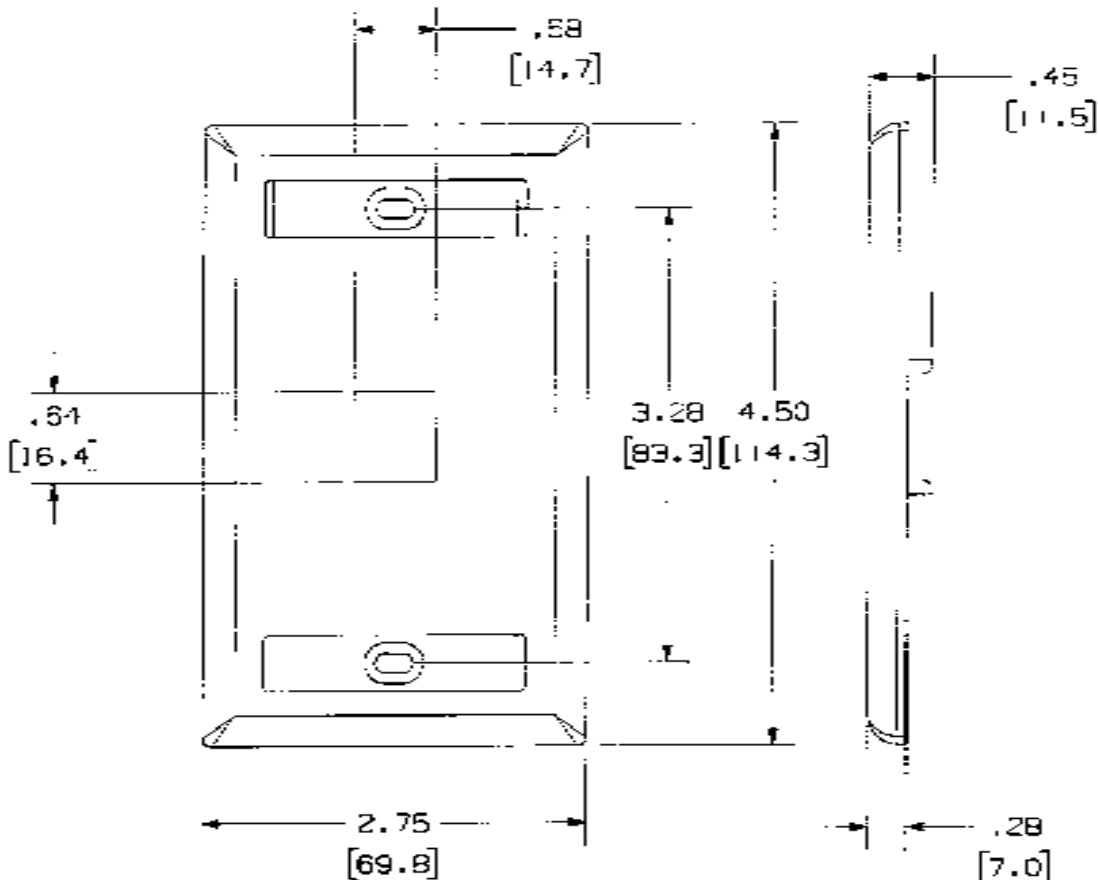


THIS COPY IS PROVIDED ON A RESTRICTED BASIS AND IS NOT TO BE USED IN ANY WAY DETRIMENTAL TO THE INTERESTS OF PANDUIT CORP.



| PANDUIT P/N | WEIGHT                          |
|-------------|---------------------------------|
| NKIF**Y     | .49 LB/10 PCS<br>(222 g/10 PCS) |

- NOTES:
- SEE CURRENT CATALOG FOR ADDITIONAL PART SUFFIXES TO INDICATE COLOR AND OR PACKAGE QUANTITY.
  - FACEPLATE WILL ACCEPT ONE STANDARD NETKEY MODULE.
  - PART INCLUDES:
    - 1- FACEPLATE
    - 2- MOUNTING SCREW
    - 2- LABEL
    - 2- LABEL COVER
  - DIMENSIONS IN [ ] ARE IN METRIC.



|                  |                              |      |   |
|------------------|------------------------------|------|---|
| MODEL FILENAME   | MO068182_KEYSTONE_FPL_02.PRT | SIZE | A |
| DRAWING FILENAME | MO2479RE_D0031_00A.PRT       |      |   |

NETKEY J POSITION SINGLE GANG  
FACEPLATE WITH LABEL  
CUSTOMER DRAWING

NETWORK SYSTEMS  
AUG 18 2006  
ENGINEERING DEPT

|   |                  |                        |
|---|------------------|------------------------|
| <p>PANDUIT CORP.<br/>TINLEY PARK, IL 60477</p>  | UNIT NUMBER      | N/A                    |
|   | MODULE SPEC      | N/A                    |
| <p>THIRD ANGLE PROJECTION</p>   | FORM INSTRUCTION | N/A                    |
|   | SCALE            | NONE                   |
| <p>ALL DIMENSIONS ARE IN INCHES UNLESS OTHERWISE SPECIFIED.</p> <p>DIMENSIONAL TOLERANCES ARE:<br/>                 1.XX .03    .XXXI .005<br/>                 1.XXI .01    ANGLES : °</p> | PART NO.         | NKIF**Y                |
| DRAWN BY: <i>SP</i>   | MATERIAL:        | ASS                    |
| DATE: 7-28-06   |                  | DRAWING NO.: 02479-031 |

| REV | DATE    | BY  | CHK       | DESCRIPTION            | ECN       | R         | CUST      | SUP | OTH |
|-----|---------|-----|-----------|------------------------|-----------|-----------|-----------|-----|-----|
| 1   | 7-28-06 | JSF | <i>MD</i> | RELEASED TO PRODUCTION | 02479-031 | <i>MD</i> | <i>MD</i> |     |     |