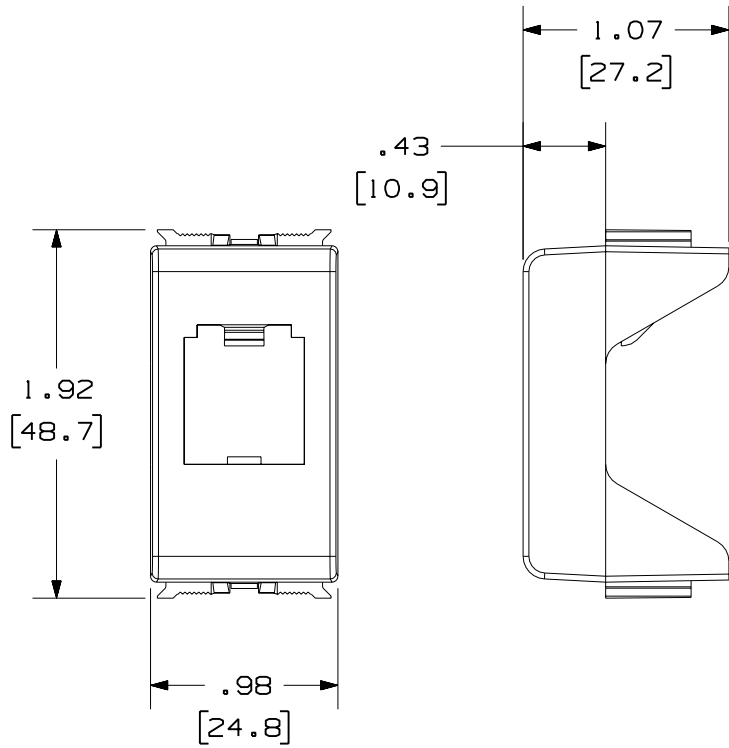


THIS COPY IS PROVIDED ON A RESTRICTED BASIS AND IS NOT TO BE USED IN ANY WAY DETRIMENTAL TO THE INTERESTS OF PANDUIT CORP.

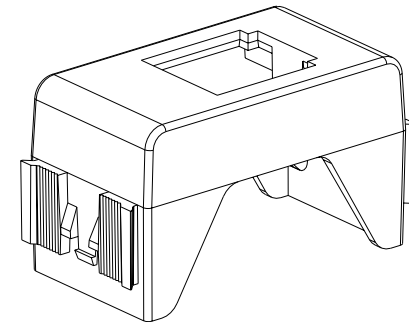


PANDUIT P/N	WEIGHT
CGA***-X	.15 LB/10 PCS (67.0 g/10 PCS)



NOTES:

1. SEE CURRENT CATALOG FOR ADDITIONAL PART NUMBER SUFFIXES TO INDICATE COLOR AND OR PACKAGE QUANTITY.
2. SEE CATALOG FOR COMPLETE LIST OF PARTS APPLICABLE FOR USE WITH THIS PART.
3. DIMENSIONS IN PARENTHESES ARE IN METRIC.
4. MATERIAL: POLYCARBONATE



CAD FILENAME/LAYERS M00047BA_DC_02B.PRT

PANDUIT CORP. TINLEY PARK, ILLINOIS

MINI-COM GEWISS FACEPLATE ADAPTER (CGA***-X) CUSTOMER DRAWING

UNLESS OTHERWISE SPECIFIED, DIMENSIONAL TOLERANCES ARE:
 (.X) ± (.XXX) ± .010 (.3)
 (.XX) ± .03 (.8) ANGLES ±

UNLESS OTHERWISE SPECIFIED, ALL DIMENSIONS ARE GIVEN IN INCHES, THIRD ANGLE PROJECTION.

REV	DATE	BY	CHK	DESCRIPTION	ECN	CHK	CUST	SUP
I	7-10-07	JsP		A. ADDED "***-X" TO PART NUMBER.	00047-02			
R	1-25-99	JsP	PBD	RELEASED TO PRODUCTION.	00047-02	PBD	PBD	

DRAWN BY JsP	MAT'L: SEE NOTES	SCALE NONE	
DATE 1-25-99		DRAWING NO. 00047-02	DWG A
CHECKED BY PBD		SIZE	