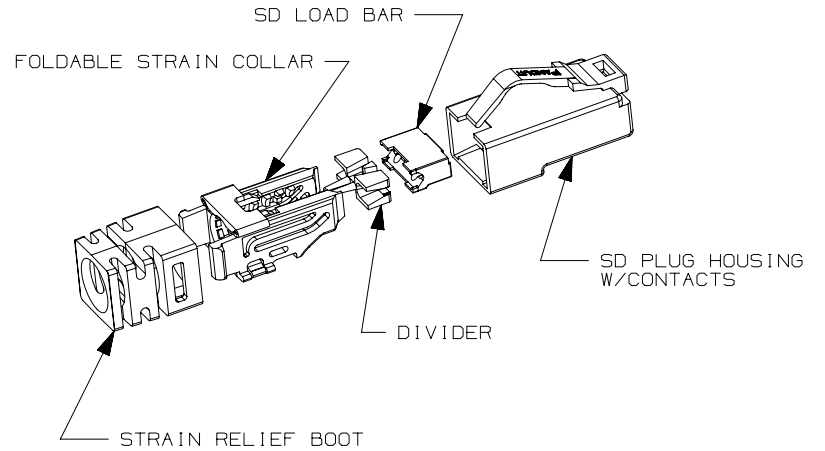
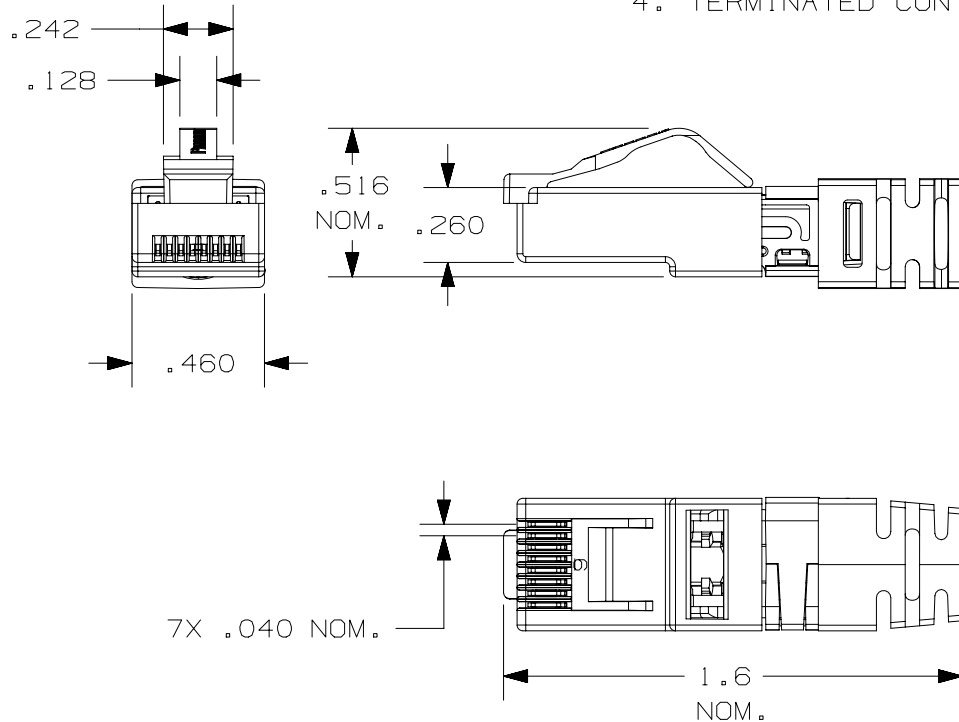


THIS COPY IS PROVIDED ON A RESTRICTED BASIS AND IS NOT TO BE USED IN ANY WAY DETRIMENTAL TO THE INTERESTS OF PANDUIT CORP.

PANDUIT P/N	WEIGHT
SP6X88SD-C	.047 LB/10 PCS (21.4 g/10 PCS)

NOTES:

1. MATERIAL: HOUSING, LOAD BAR, DIVIDER, STRAIN COLLAR - THERMOPLASTIC UL94V-0 RATED; STRAIN RELIEF BOOT - CLEAR PVC; CONTACT TERMINAL - PHOSPHOR BRONZE ELECTRO-POLISHED AND PLATED WITH .000050" MIN. GOLD IN MATING AREA, GOLD FLASH OVER REMAINDER, .000100" MIN. NICKEL UNDERPLATE.
2. PLUG ACCEPTS 4 PAIR CABLE .225-.250" DIA WITH 26 AWG SOLID COPPER CABLE CONDUCTORS WITH A MAXIMUM INSULATOR DIAMETER OF .040".
3. MEETS DIMENSIONAL REQUIREMENTS OF FCC PART 68 AND IEC 60603-7. ALL DIMENSIONS MAXIMUM UNLESS OTHERWISE SPECIFIED.
4. TERMINATED CONTACT HEIGHT DIMENSION: .237±.005".



PART NUMBER	SP6X88SD-C	PRODUCT SPEC/PKG SPEC	N/A
I.I. NUMBER	N/A	WORK INSTRUCTION	N/A
TITLE TX6A-SD 10 GIG UTP MODULAR PLUG FOR CATEGORY 6A CORDS			
CUSTOMER DRAWING			
ITEM REVISION NAME		09M129AD/00	
DATASET FILE NAME		09M129AD_DC02/00B	
UNLESS OTHERWISE SPECIFIED, DIMENSIONAL TOLERANCES ARE: IN [mm]			MATERIAL: SEE NOTE 1
.x ± .1 [2.54] .xxx ± .005 [.127] .xx ± .01 [.25] ANGLES ± 5 °			
DRAWN BY			DRAWING NUMBER:
DATE			09M129AD-02
CHK	SCALE	THIRD ANGLE PROJECTION	
BJN	4-4-13	JSP	NONE
REV	DATE	BY	CHK
DESCRIPTION		ECN	
SHT 1 OF 1		A	

D10100DA/14