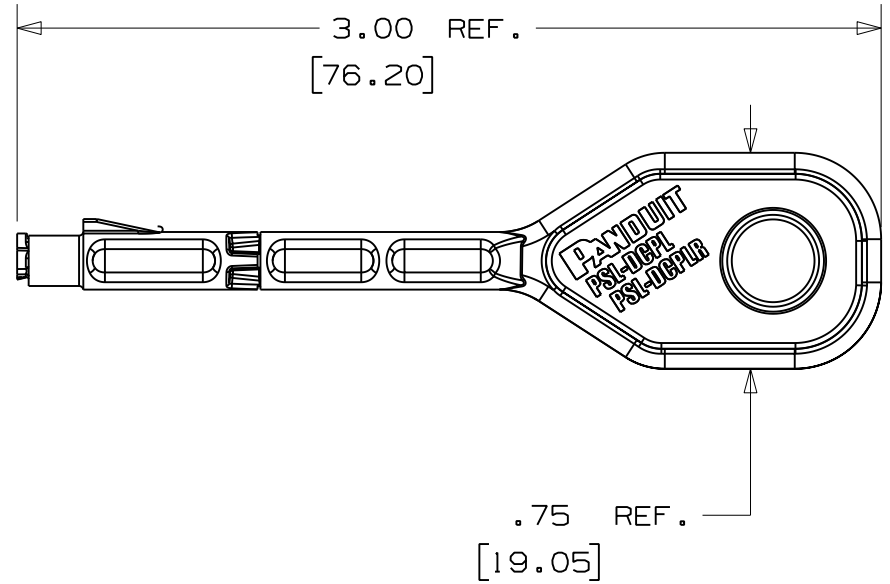
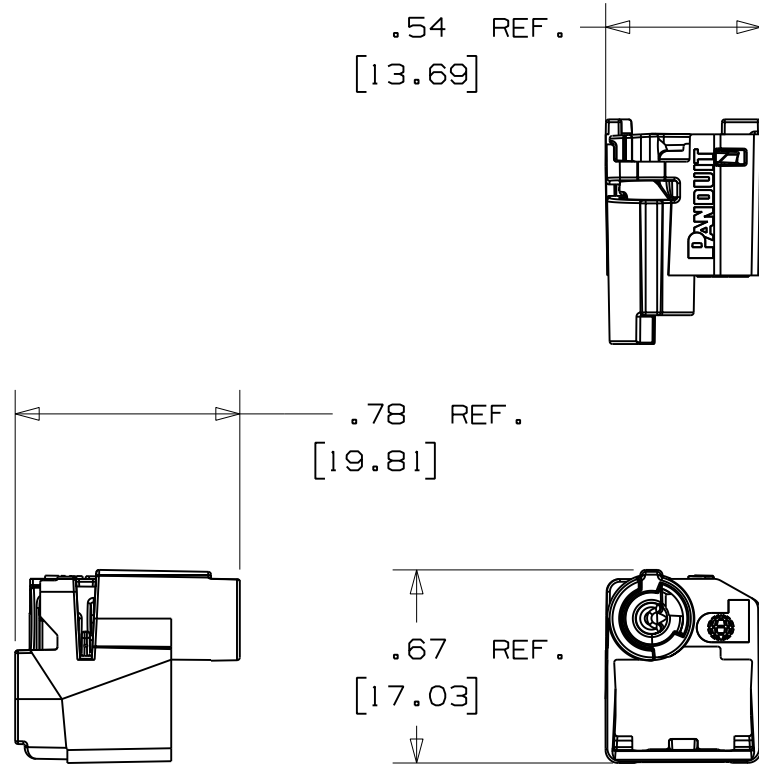


THIS COPY IS PROVIDED ON A RESTRICTED BASIS AND IS NOT TO BE USED IN ANY WAY DETRIMENTAL TO THE INTERESTS OF PANDUIT CORP.



PSL - DCPLR

KEY

CAD FILENAME/LAYERS 100913AD_C10743_DCPLR_01.prt

PANDUIT CORP. TINLEY PARK, ILLINOIS

PSL - DCPLR
CUSTOMER DRAWING

UNLESS OTHERWISE SPECIFIED,
DIMENSIONAL TOLERANCES ARE:
(.X) ± .05 (.XXX) ± .010
(.XX) ± .02 ANGLES ± 2°

UNLESS OTHERWISE SPECIFIED,
ALL DIMENSIONS ARE GIVEN
IN INCHES, THIRD ANGLE PROJECTION.

DRAWN BY
MROB

MAT'L:

LOCK-IN
POLYCARBONATE
KEY
10% GF NYLON

SCALE

1.5 : 1

0 09/17/08 MROB

DRAWING RELEASED

5552 D

DATE
09/17/08

DRAWING NO.

C10743

DWG

A

SIZE

REV DATE BY CHK

DESCRIPTION

ECN - R CUST SUP

CHK'D