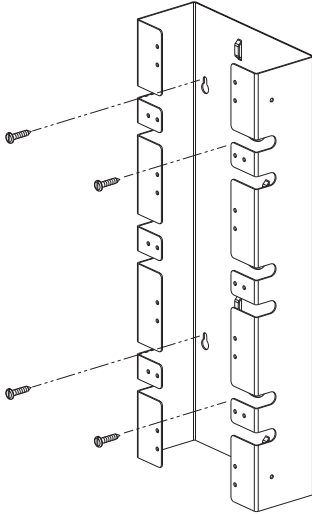


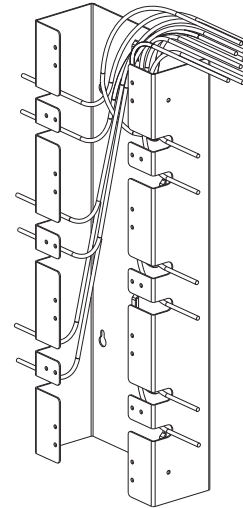
CABLE REQUIREMENT: Terminates most 22-26 AWG solid or stranded IWC wire with a 0.05" (1.27mm) max. o.d., either PVC or Plenum rated.

NOTE: 300 PAIR TOWER SHOWN. INSTRUCTIONS ALSO APPLY TO THE 900 PAIR TOWER.

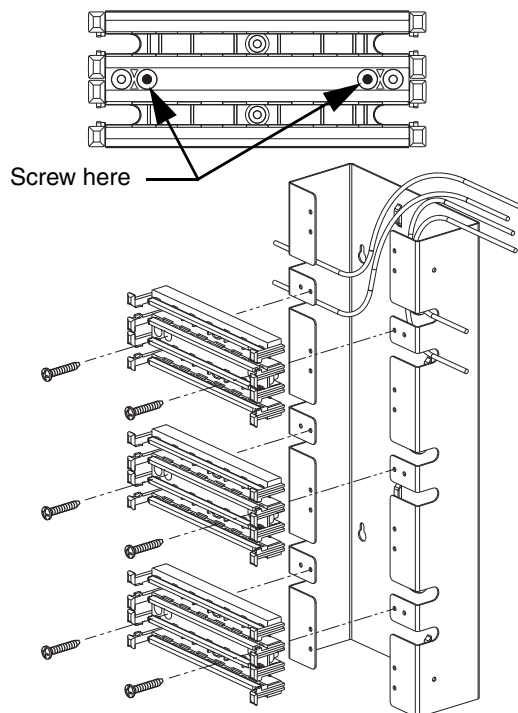
1. Mount tower to wall using #12 wood screws (not provided) or equivalent. Some applications will require different mounting hardware. Ensure that the bottom of the tower is at least 8" from the floor to provide space for horizontal cable manager trough.



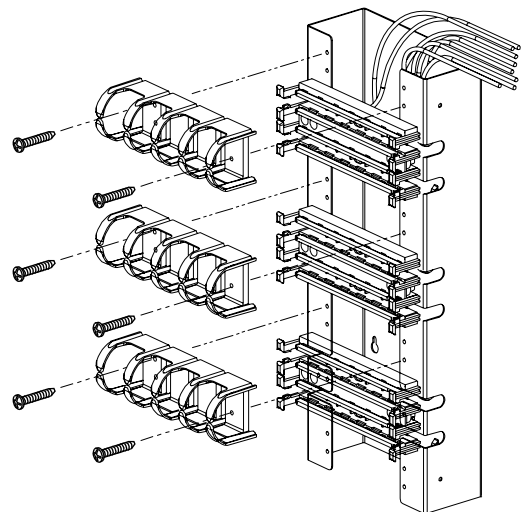
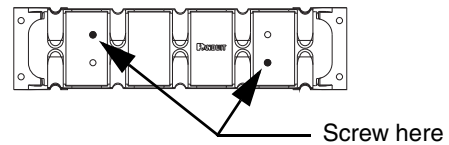
2. Route cable bundle into tower and fan out individual cables into their appropriate positions through the cutouts provided along the tower leaving 12" to 18" of slack. Each cutout accommodates up to 25 pair. Use cable ties to secure bundle to raised tabs on back of tower.



3. Position base over slots in tower and secure with two #12 sheet metal screws (supplied). Place conductors into index strip and install connecting blocks as per instruction sheet PN51* (provided).



4. Install jumper troughs between bases with two #12 sheet metal screws (supplied).

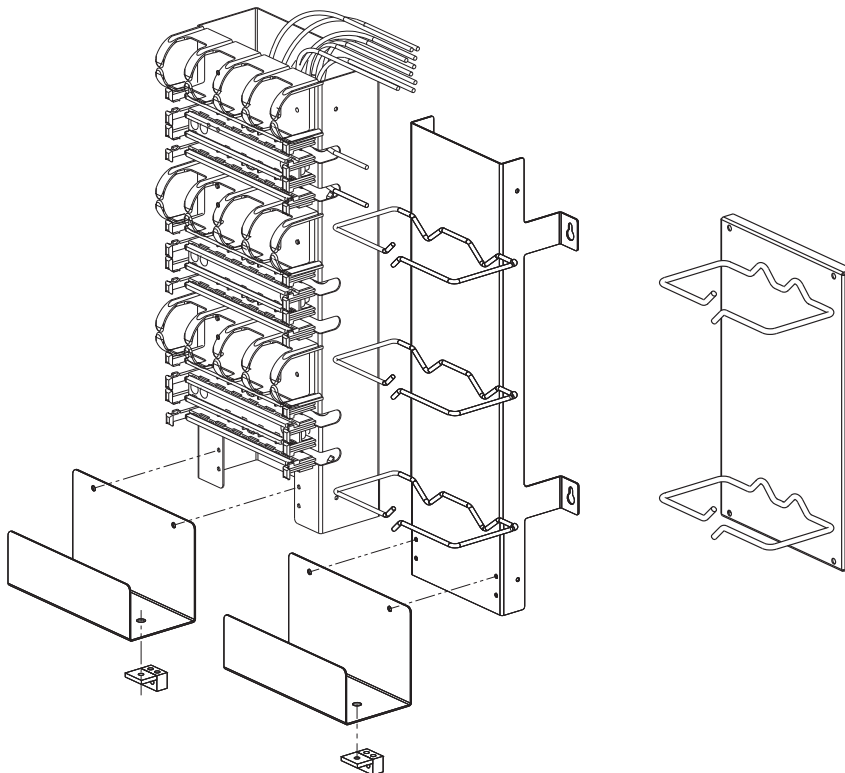


* Denotes instruction sheet revision letter.

CABLE REQUIREMENT: Terminates most 22-26 AWG solid or stranded IWC wire with a 0.05" (1.27mm) max. o.d., either PVC or Plenum rated.

5. To help contain cross-connections, install vertical cable managers (P110VCM300 for 300 pair and P110VCM900 for 900 pair) adjacent to towers using #12 wood screws (not provided) or equivalent.

Attach horizontal cable manager trough to towers and vertical cable managers using #12 sheet metal screws and #12 external tooth lockwashers (provided). Fasten securely to assure grounding. Attach ground lug (P/N:LAM2A2/0-14-6) with 1/4" x 3/4" machine screw, nut, and 1/4" external tooth lockwasher (provided), to the bottom of the horizontal cable manager trough.



Component Quantity per Tower System

Part Number	Component Quantity per Tower System		Connecting Blocks					Label Holders	Labels
	Base	Trough	P110CB3	P110CB4	P110CB5	P110CB4IG	P110CB5IG	P110LH	DSL110
P110KT3004Y	3	3	-	60	12	-	-	6	6
P110KT3005Y	3	3	-	-	60	-	-	6	6
P110KT9004Y	9	9	-	180	36	-	-	18	18
P110KT9005Y	9	9	-	-	180	-	-	18	18

Notes:

1. Pan-Punch product terminates most 22-26 AWG solid or stranded IWC wire with a 0.05" (1.27mm) max. o.d., either PVC or Plenum rated.
2. Never install wire into a slot previously used for a larger gauge.
3. Be careful to strip back cable jacket only as required for termination.
4. Use care to maintain pair twists to within 0.50" (13mm) of the termination strip.
5. When stripping cable jacket, be careful not to cut the insulation on the individual wires.
6. Avoid sharp bends when routing cable.

As with all Wiring Accessories, the following statements apply:

1. Never install communications wiring during a lightning storm.
2. Never install communications wiring in wet locations unless the product is specifically designed for use in wet locations.
3. Never touch uninsulated communications wiring or terminals unless the communication line has been disconnected at the network interface.
4. Use caution when installing or modifying communication wiring.

For Instructions in Local Languages and Technical Support:

www.panduit.com/resources/install_maintain.asp



www.panduit.com

E-mail: techsupport@panduit.com

Phone: 866-405-6654