

Mini, 7/8"-Round-Plug Connector, Double-Ended Cordsets, Automotive Color Code

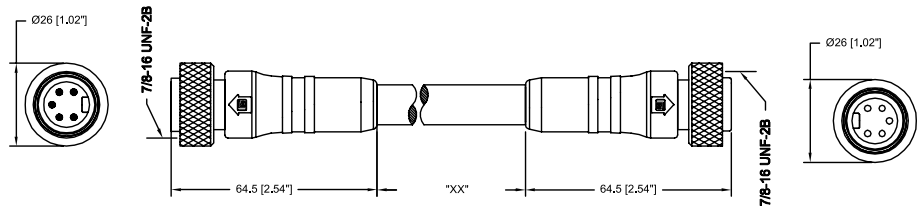
RSRK 301...501 | RSRKW 301...501

3- and 5-Poles

Mini, 7/8" double-ended cordsets, male to female straight, 3- and 5-poles with molded cable, Automotive color code.



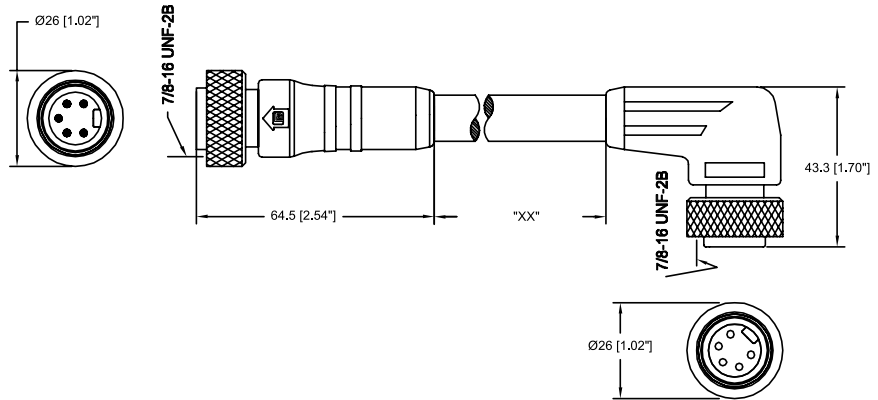
RSRK



Mini, 7/8" double-ended cordsets, male straight to female 90°, 3- and 5-poles with molded cable, Automotive color code.



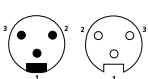
RSRKW



Pin Assignments

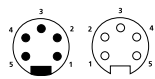
Mini, 7/8" - Male / Female

3 poles



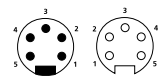
- 1 = green
- 2 = red w/black tr.
- 3 = red w/white tr.

5 poles (742)



- 1 = red w/white tr.
- 2 = red
- 3 = green
- 4 = red w/orange tr.
- 5 = red w/black tr.

5 poles (755)



- 1 = red w/white tr.
- 2 = red
- 3 = green
- 4 = red w/yellow tr.
- 5 = red w/black tr.



Be Certain with Belden

Mini, 7/8"-Round-Plug Connector, Double-Ended Cordsets, Automotive Color Code RSRK 301...501 | RSRKW 30...50

Technical Data

Environmental
 Degree of protection IP 67 / NEMA 6P
 Operating temperature range -40°C (-40°F) / +90°C (194°F)

Mechanical
 Housing / Molded body TPU, yellow
 Insert TPU, yellow
 Contact CuZn, gold over silver plated
 Coupling nut Aluminum, anodized black

Electrical
 Current rating 688/741/742: 8 A
 755: 5.6 A
 Voltage rating 741/742: 600 V
 688/755: 300 V

Cable Specifications - Automotive Color Code

| Cable No. | Outer Jacket | Gauge | Jacket Color | OD | Temperature Rating | Agency Approvals |
|-----------|--------------|-------|--------------|-----------------|---------------------------------|-------------------------------|
| 688 | PVC | 18AWG | Yellow | .290" (7.4 mm) | -40°C (-40°F) to +105°C (221°F) | UL: AWM2661 |
| 741 | TPE | 16AWG | Yellow | .390" (9.9 mm) | -40°C (-40°F) to +105°C (221°F) | UL: SEOOW / CSA: STOOW |
| 742 | TPE | 16AWG | Yellow | .495" (12.6 mm) | -40°C (-40°F) to +105°C (221°F) | UL: SEOOW / CSA: STOOW |
| 755 | TPE | 18AWG | Yellow | .333" (8.5 mm) | -40°C (-40°F) to +90°C (194°F) | UL: PLTC / CSA: AWM I/II, A/B |

| Part Number | Pins | Outer Jacket | Standard Cable Lengths | Characteristics |
|--------------------------------------|------|--------------|---------------------------------|-----------------|
| RSRK 301-688/...F RSRKW 301-688/...F | 3 | PVC | 6 F / 12 F / 15 F / 20 F / 30 F | |
| RSRK 301-741/...F RSRKW 301-741/...F | 3 | TPE | 6 F / 12 F / 15 F / 20 F / 30 F | |
| RSRK 501-742/...F RSRKW 501-742/...F | 5 | TPE | 6 F / 12 F / 15 F / 20 F / 30 F | |
| RSRK 501-755/...F RSRKW 501-755/...F | 5 | TPE | 6 F / 12 F / 15 F / 20 F / 30 F | |