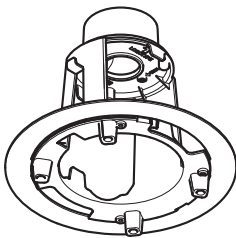
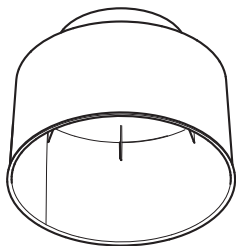
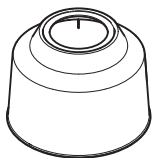


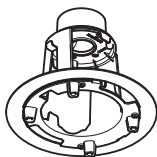
# INSTALLATION GUIDE

## AXIS T94F02D Pendant Kit





**1x**

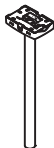
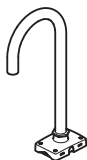


**1x**



**1x**

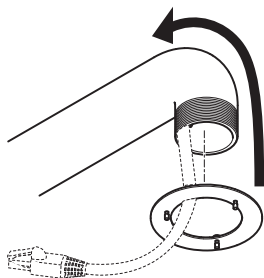
**i**



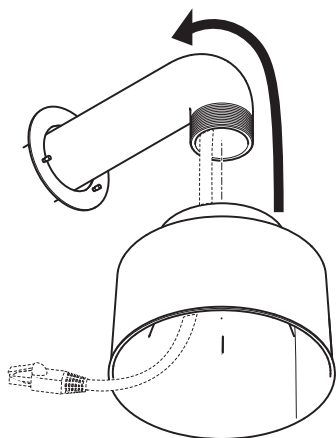
**i**

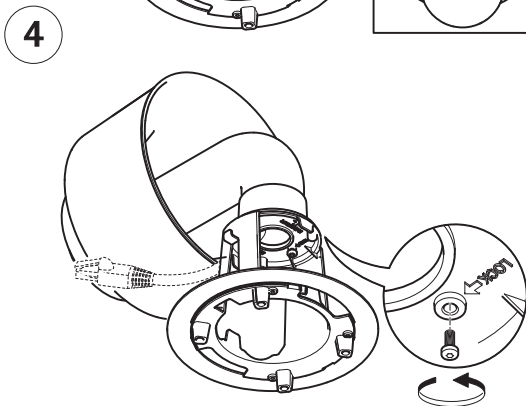
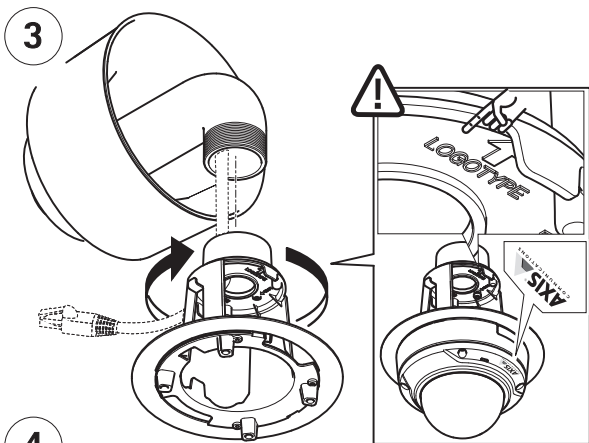


1

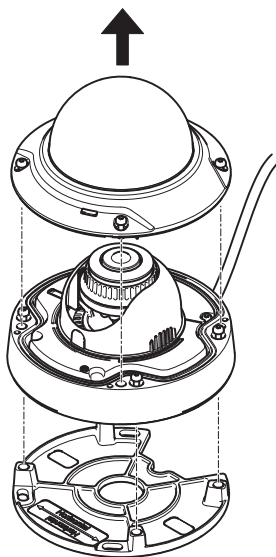


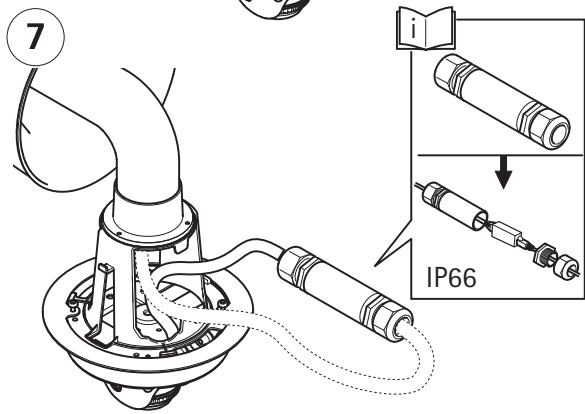
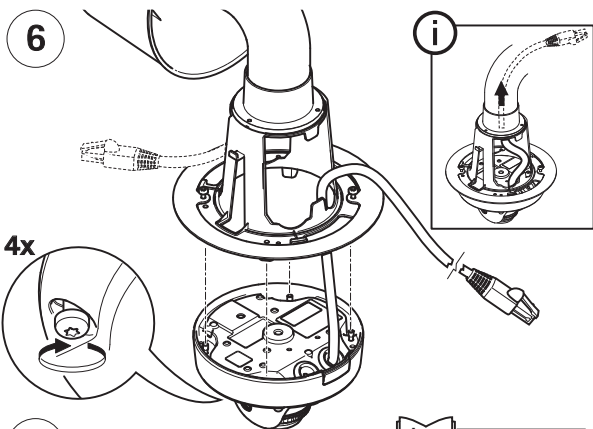
2



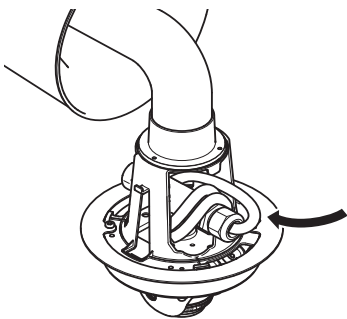


5

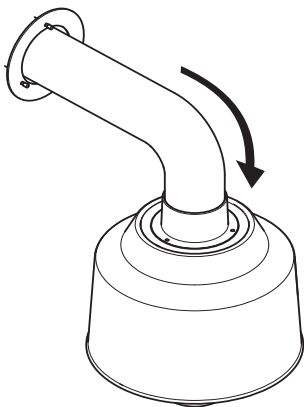




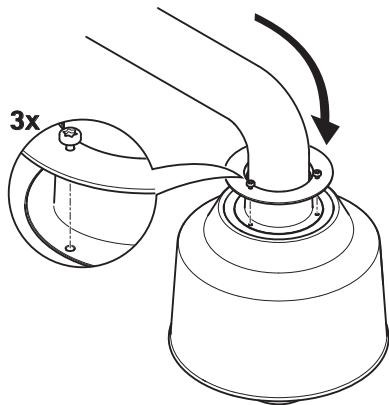
8



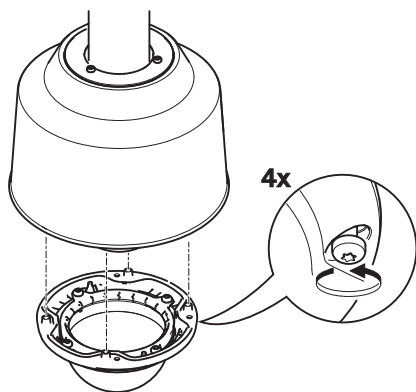
9



10



11







Installation Guide

AXIS T94F02D

© Axis Communications AB, 2013

Ver.1.0

Printed: July 2013

Part No. 52187