

**CONTINUOUS-HINGE WITH CLAMPS, TYPE 4X**

**INDUSTRY STANDARDS**

UL 50, 50E Listed; Type 3R, 4, 4X, 12; File No. E27567  
 cUL Listed per CSA C22.2 No 94; Type 3R, 4, 4X, 12; File No. E27567  
 UL 508A Listed; Type 3R, 4, 4X, 12; File No. E61997  
 cUL Listed per CSA C22.2 No 94; Type 3R, 4, 4X, 12; File No. E61997

NEMA/EEMAC Type 3R, 4, 4X, 12, 13  
 CSA File No. 42184: Type 4, 4X, 12  
 IEC 60529, IP66  
 Meets NEMA Type 3RX requirements

**APPLICATION**

Used in either indoor or outdoor applications, these enclosures combine a rugged continuous hinge, seamless foam-in-place gasket and stainless steel screw-down clamps for a reliable seal that protects components from corrosive environments.

**SPECIFICATIONS**

- 16 and 14 gauge Type 304 or 316L stainless steel
- Seams continuously welded and ground smooth
- Seamless foam-in-place gasket
- Stainless steel screws and clamps
- Pull stainless steel continuous hinge pin to remove door
- Weldnuts provided for mounting optional panels and terminal block kits
- Bonding provision on door and body

**FINISH**

Cover and sides of body have smooth #4 brushed finish.

**ACCESSORIES**

See also *Accessories*.

- Fast-Operating Clamp-Cover Junction Box Clamp
- Lock Kit for Clamp Cover Junction Boxes
- Panels for Junction Boxes
- Terminal Block Kit Assembly for Junction Boxes Overview

**MODIFICATION AND CUSTOMIZATION**

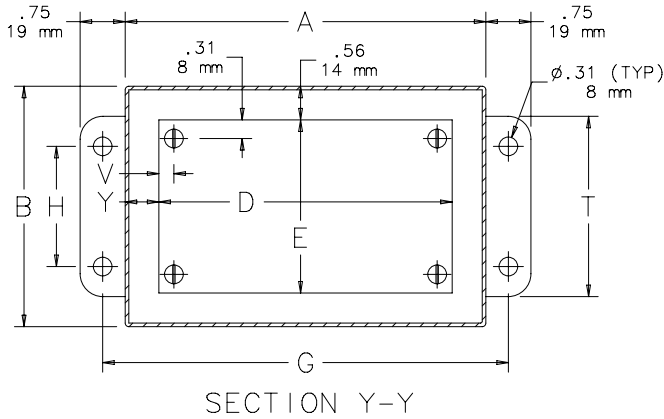
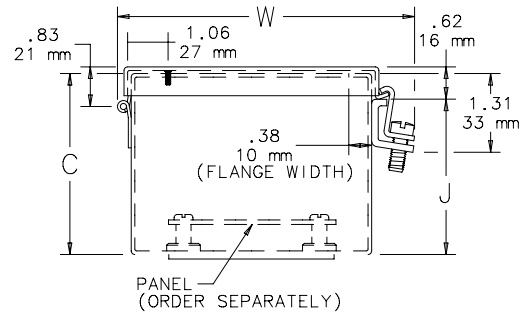
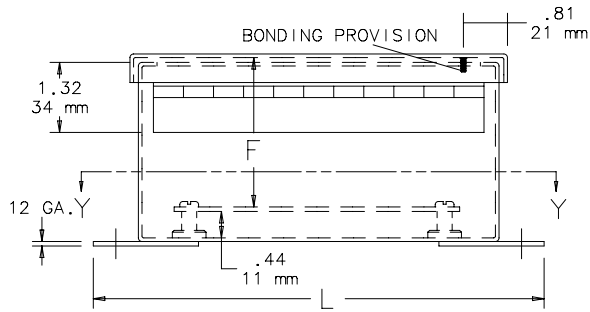
Hoffman excels at modifying and customizing products to your specifications. Contact your local Hoffman sales office or distributor for complete information.

**BULLETIN: A51S**
**Standard Product**

Catalog Number	AxBxC in./mm	Stainless Steel Type	UL Listed	Body Gauge	Cover Gauge	Steel Panel	Conductive Panel	Panel Size D x E in./mm	Mounting G x H in./mm	Overall L x W in./mm	F in./mm	J in./mm	N in./mm	T in./mm	V in./mm	Y in./mm
A6044CHNFSS	6.00 x 4.00 x 4.00 152 x 102 x 102	304	508A	16	16	A6P4	A6P4G	4.88 x 2.88 124 x 73	6.75 x 2.00 171 x 51	7.50 x 4.94 191 x 125	3.50 89	3.62 92	2.38 60	3.00 76	0.31 8	0.56 14
A606CHNFSS	6.00 x 6.00 x 4.00 152 x 152 x 102	304	50, 50E	16	16	A6P6	A6P6G	4.88 x 4.88 124 x 124	6.75 x 4.00 171 x 102	7.50 x 6.94 191 x 176	3.50 89	3.62 92	2.38 60	5.00 127	0.31 8	0.56 14
A8064CHNFSS	8.00 x 6.00 x 4.00 203 x 152 x 102	304	50, 50E	14	16	A8P6	A8P6G	6.75 x 4.88 171 x 124	8.75 x 4.00 222 x 102	9.50 x 6.94 241 x 176	3.50 89	3.62 92	1.38 35	5.00 127	0.25 6	0.62 16
A1008CHNFSS	10.00 x 8.00 x 4.00 254 x 203 x 102	304	50, 50E	14	16	A10P8	A10P8G	8.75 x 6.88 222 x 175	10.75 x 6.00 273 x 152	11.50 x 8.94 292 x 227	3.50 89	3.62 92	1.38 35	7.00 178	0.25 6	0.62 16
A12106CHNFSS	12.00 x 10.00 x 6.00 305 x 254 x 152	304	50, 50E	14	16	A12P10	A12P10G	10.75 x 8.88 273 x 225	12.75 x 8.00 324 x 203	13.50 x 10.94 343 x 278	5.50 140	5.62 143	2.38 60	9.00 229	0.25 6	0.62 16
A1212CHNFSS	12.00 x 12.00 x 6.00 305 x 305 x 152	304	50, 50E	14	16	A12P12	A12P12G	10.75 x 10.88 273 x 276	12.75 x 10.00 324 x 254	13.50 x 12.94 343 x 329	5.50 140	5.62 143	2.38 60	11.00 279	0.25 6	0.62 16
A1412CHNFSS	14.00 x 12.00 x 6.00 356 x 305 x 152	304	50, 50E	14	16	A14P12	A14P12G	12.75 x 10.88 324 x 276	14.75 x 10.00 375 x 254	15.50 x 12.94 394 x 329	5.50 140	5.62 143	2.38 60	11.00 279	0.25 6	0.62 16
A1614CHNFSS	16.00 x 14.00 x 6.00 406 x 356 x 152	304	508A	14	16	A16P14	A16P14G	14.75 x 12.88 375 x 327	16.75 x 12.00 425 x 305	17.50 x 14.94 445 x 379	5.50 140	5.62 143	2.38 60	13.00 330	0.25 6	0.62 16
A6044CHNFSS6	6.00 x 4.00 x 4.00 152 x 102 x 102	316L	50, 50E	16	16	A6P4	A6P4G	4.88 x 2.88 124 x 73	6.75 x 2.00 171 x 51	7.50 x 4.94 191 x 125	3.50 89	3.62 92	2.38 60	3.00 76	0.31 8	0.56 14
A606CHNFSS6	6.00 x 6.00 x 4.00 152 x 152 x 102	316L	50, 50E	16	16	A6P6	A6P6G	4.88 x 4.88 124 x 124	6.75 x 4.00 171 x 102	7.50 x 6.94 191 x 176	3.50 89	3.62 92	2.38 60	5.00 127	0.31 8	0.56 14
A8064CHNFSS6	8.00 x 6.00 x 4.00 203 x 152 x 102	316L	50, 50E	14	16	A8P6	A8P6G	6.75 x 4.88 171 x 124	8.75 x 4.00 222 x 102	9.50 x 6.94 241 x 176	3.50 89	3.62 92	1.38 35	5.00 127	0.25 6	0.62 16
A1008CHNFSS6	10.00 x 8.00 x 4.00 254 x 203 x 102	316L	50, 50E	14	16	A10P8	A10P8G	8.75 x 6.88 222 x 175	10.75 x 6.00 273 x 152	11.50 x 8.94 292 x 227	3.50 89	3.62 92	1.38 35	7.00 178	0.25 6	0.62 16
A12106CHNFSS6	12.00 x 10.00 x 6.00 305 x 254 x 152	316L	50, 50E	14	16	A12P10	A12P10G	10.75 x 8.88 273 x 225	12.75 x 8.00 324 x 203	13.50 x 10.94 343 x 278	5.50 140	5.62 143	2.38 60	9.00 229	0.25 6	0.62 16
A1212CHNFSS6	12.00 x 12.00 x 6.00 305 x 305 x 152	316L	50, 50E	14	16	A12P12	A12P12G	10.75 x 10.88 273 x 276	12.75 x 10.00 324 x 254	13.50 x 12.94 343 x 329	5.50 140	5.62 143	2.38 60	11.00 279	0.25 6	0.62 16
A1412CHNFSS6	14.00 x 12.00 x 6.00 356 x 305 x 152	316L	50, 50E	14	16	A14P12	A14P12G	12.75 x 10.88 324 x 276	14.75 x 10.00 375 x 254	15.50 x 12.94 394 x 329	5.50 140	5.62 143	2.38 60	11.00 279	0.25 6	0.62 16
A1614CHNFSS6	16.00 x 14.00 x 6.00 406 x 356 x 152	316L	50, 50E	14	16	A16P14	A16P14G	14.75 x 12.88 375 x 327	16.75 x 12.00 425 x 305	17.50 x 14.94 445 x 379	5.50 140	5.62 143	2.38 60	13.00 330	0.25 6	0.62 16

A6044CHNFSS and A6044CHNFSS6 UL 508A Listed. The remaining catalog numbers are UL 50 Listed.

Purchase panels separately. Optional stainless steel, composite and aluminum panels are available for most sizes.



- NOTE:
1. Optional panels are 14 gauge steel, conductive steel or stainless steel
  2. Panel screws are #10-32 pan head

CLAMP BRACKET LOCATIONS

