

## SKINTOP® MS/MSR

Nickel-Plated Brass Strain Relief with PG Thread

## Similar Products

- SKINTOP® MS-SC PG

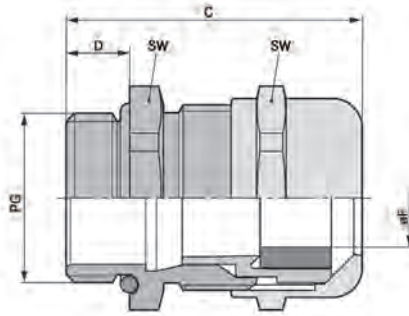
## Complete the Installation



SKINTOP® DIX  
Bushing:  
page 548



Plugs:  
page 550



SKINTOP® MS/MSR is a superior quality, liquid-tight, metallic cable gland intended for applications where ruggedness and durability are required. These cable glands are suitable for a wide range of applications, from manufacturing machinery to measurement and control equipment, including automation and robotics.

## Application Advantage

- Suitable for use in areas with high demands on mechanical and chemical stability
- The heavy duty SKINTOP® design provides great pull-out strength and very reliable strain relief
- Extended temperature range due to the nickel-plated brass body
- Generous high-quality neoprene bushing and perbunan O-ring provide a liquid-tight and dust-proof hermetic seal

## Approvals



## Technical Data



## Material:

- Body: Nickel-plated brass
- Insert: Polyamide
- Bushing: CR
- O-ring: Perbunan® (NBR)



## Temperature Range:

-30°C to +100°C



## Protection:

IP68, 5 bar  
(Exceeds NEMA 6/6P pressure rating)  
when used with O-ring



## Locknuts:

Add SM locknuts, page 545

Part Number	Thread Type & Size	øF Clamping Range (inches) (mm)		SW Wrenching Flats (inches)	C Overall Length (inches)	D Thread Length (inches)	Standard Pack Size
<b>SKINTOP® MS: Standard</b>							
52015700	PG 7	0.078 - 0.256	2.0 - 6.5	0.551	0.985	0.197	100
52015710	PG 9	0.157 - 0.315	4.0 - 8.0	0.669	1.142	0.236	100
52015720	PG 11	0.157 - 0.394	4.0 - 10	0.788	1.260	0.236	50
52015730	PG 13	0.197 - 0.472	5.0 - 12.0	0.866	1.339	0.256	50
52015740	PG 16	0.315 - 0.551	8.0 - 14.0	0.945	1.379	0.256	50
52015750	PG 21	0.433 - 0.709	11.0 - 18.0	1.182	1.576	0.275	25
52015760	PG 29	0.630 - 0.985	16.0 - 25.0	1.576	1.891	0.315	25
52015765	PG 36	0.748 - 1.260	19.0 - 32.0	1.970	2.442	0.591	10
52015766	PG 42	1.103 - 1.497	28.0 - 38.0	2.245	2.442	0.591	5
52015767	PG 48	1.339 - 1.733	34.0 - 44.0	2.521	2.442	0.591	5
<b>SKINTOP® MSR: Reducer Bushing</b>							
52015770	PG 7	0.078 - 0.197	2.0 - 5.0	0.551	0.985	0.197	100
52015780	PG 9	0.078 - 0.236	2.0 - 6.0	0.669	1.142	0.236	100
52015790	PG 11	0.118 - 0.275	3.0 - 7.0	0.787	1.260	0.236	50
52015800	PG 13	0.157 - 0.354	4.0 - 9.0	0.866	1.339	0.256	50
52015810	PG 16	0.236 - 0.512	6.0 - 13.0	0.945	1.379	0.256	50
52105820	PG 21	0.315 - 0.630	8.0 - 16.0	1.182	1.576	0.275	25
52015830	PG 29	0.413 - 0.788	10.5 - 20.0	1.576	1.891	0.315	25
52015831	PG 36	0.748 - 1.024	19.0 - 26.0	1.970	2.442	0.591	10
52015832	PG 42	0.945 - 1.221	24.0 - 31.0	2.245	2.442	0.591	5
52015833	PG 48	1.103 - 1.379	28.0 - 35.0	2.521	2.442	0.591	5

Perbunan® is a registered trademark of BAYER AG. Photographs are not to scale and are not true representations of the products in question. For current information go to our website. If not otherwise specified, all values relating to the product are nominal values.