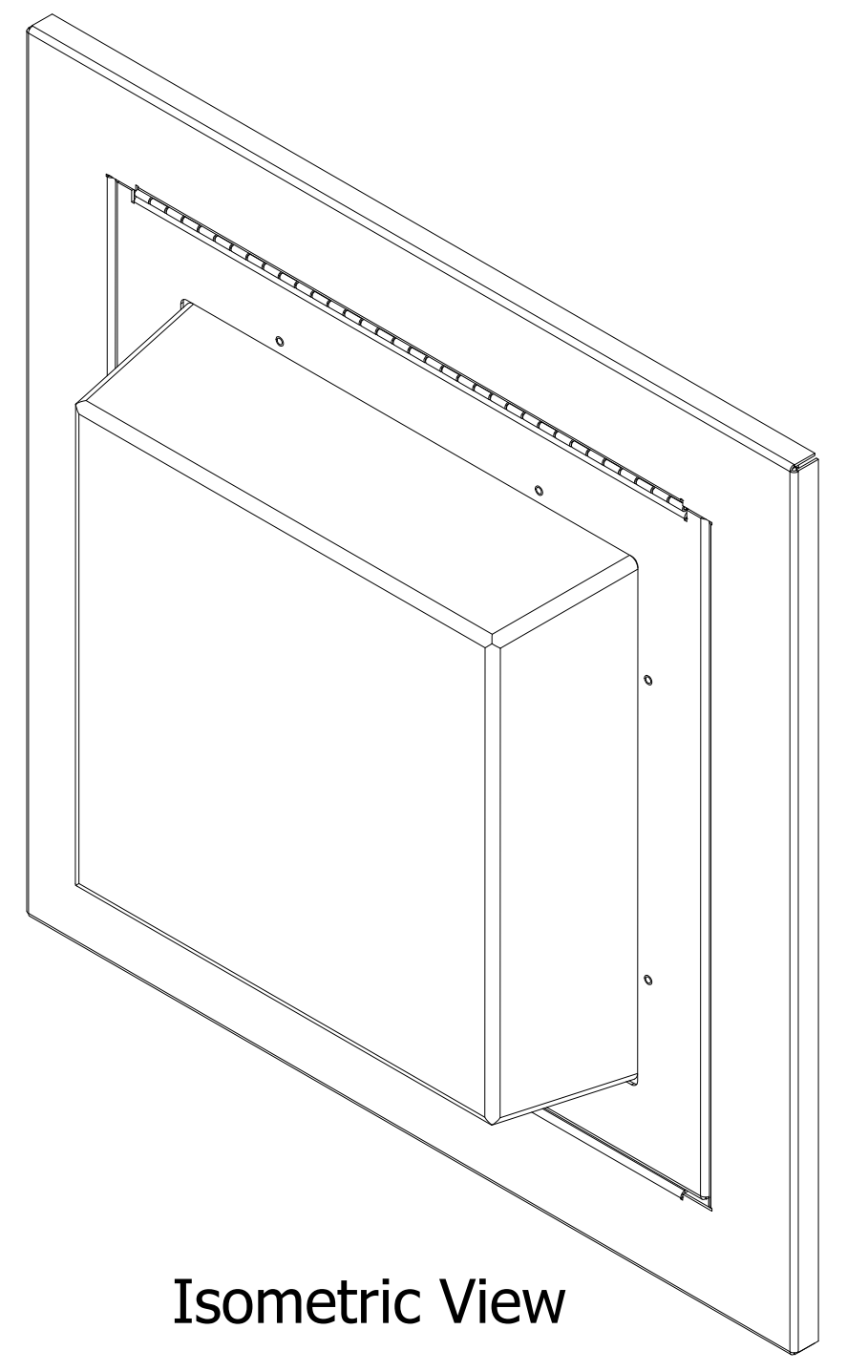
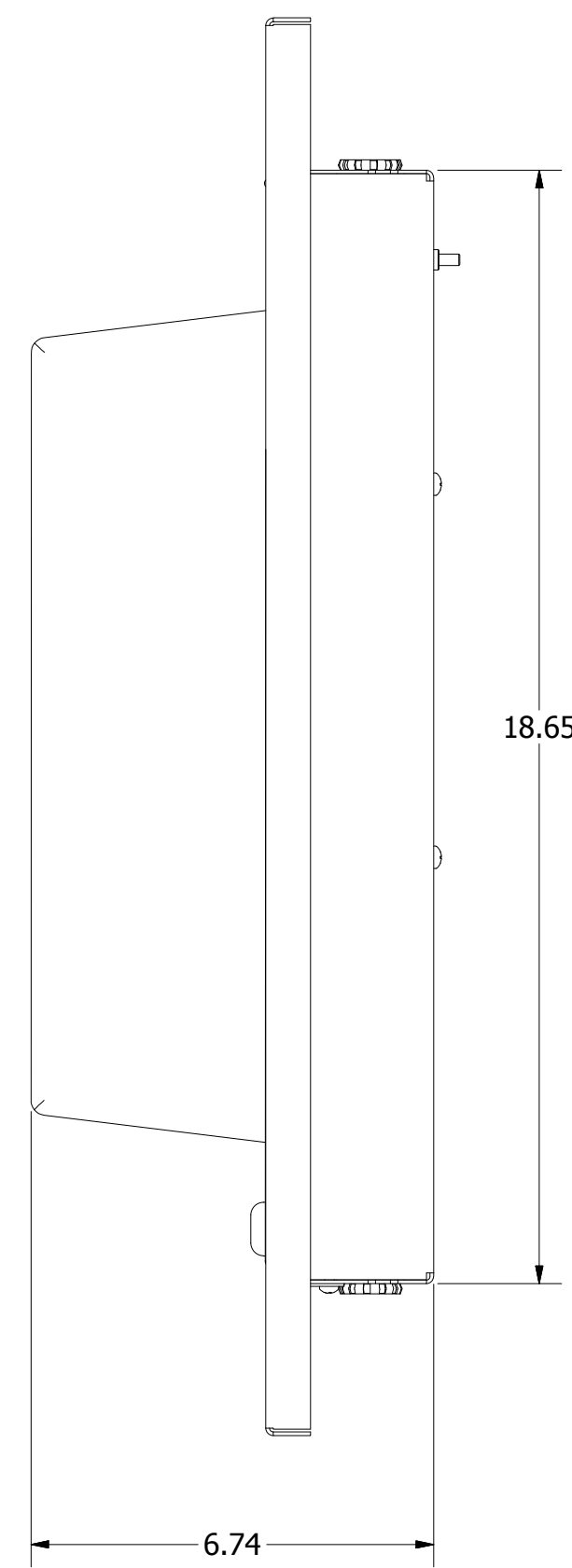
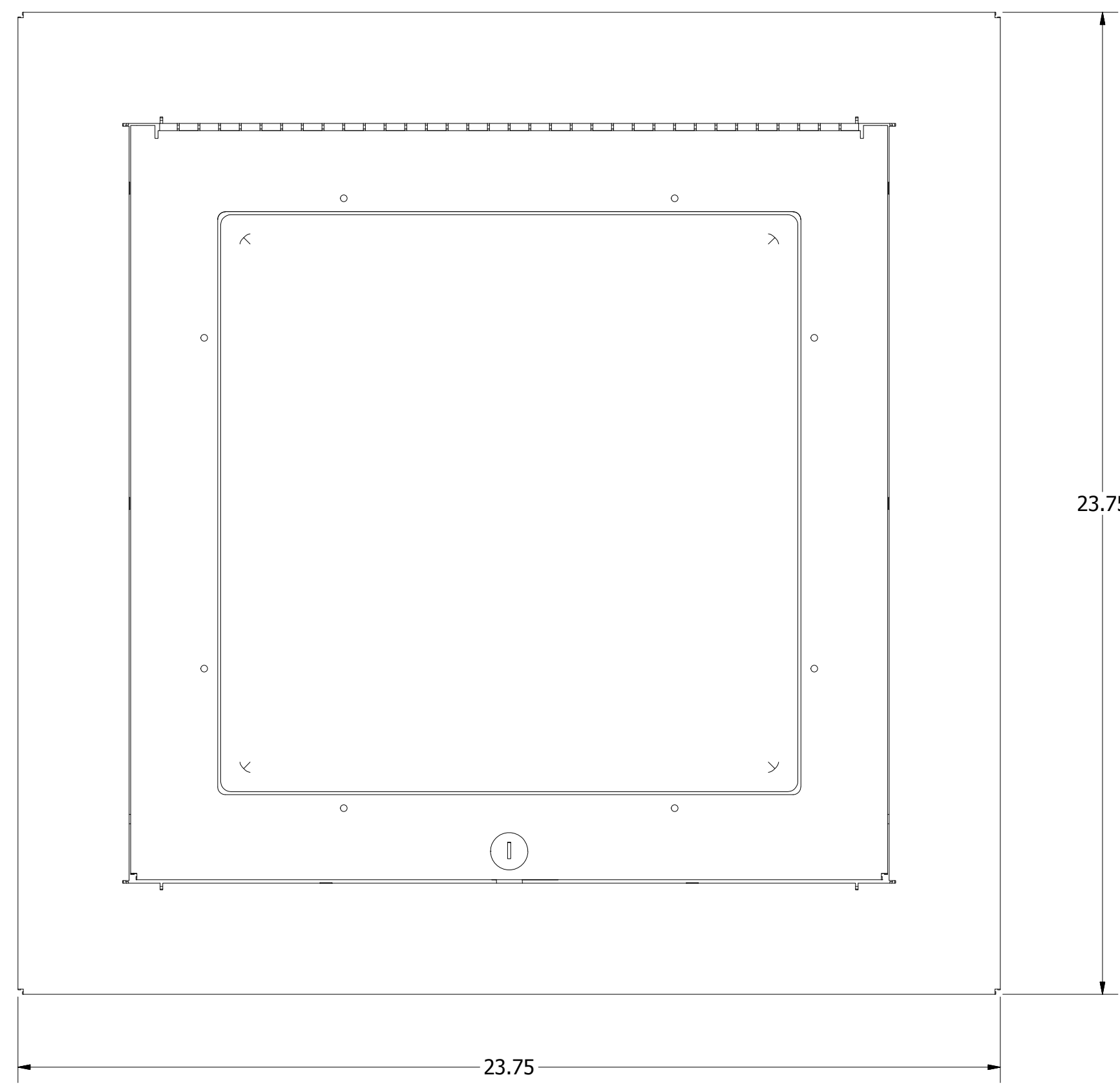


REVISION HISTORY				
ZONE	REV	DESCRIPTION	DATE	APPROVED
All	5	Added Ground Screw	8/15/2012	EAS



NOTE:
 - Material: Flange 14 Ga. Aluminum
 Back Box 16 Ga. Steel
 Door 14 Ga. Steel
 Dome 3/16" R59 ABS
 - Finish: White Powder Coat

DRAWN EAS	8/15/2012	Oberon, Inc. - 1315 S. Allen St. - State College, PA 16801		
CHECKED EAS	8/15/2012			
QA		TITLE		
MFG EAS	8/15/2012	Model 1059-00 Customer Print		
APPROVED EAS	8/15/2012	SIZE C	DWG NO 1059-00	REV 5
TOLERANCE:	.0 = +/- .030 .00 = +/- .015 .000 = +/- .005	SCALE	SHEET 1 OF 1	