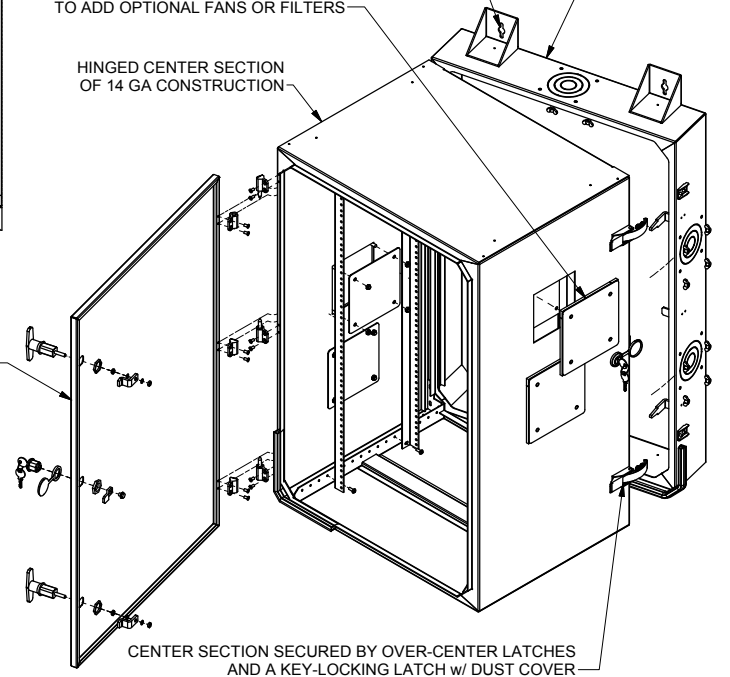
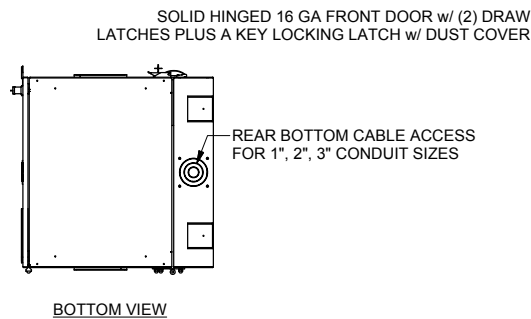


Ø1/4" LAG SCREWS RECOMMENDED  
FOR MOUNTING INTO WALL STUDS

GLAND PLATES CAN BE REMOVED  
TO ADD OPTIONAL FANS OR FILTERS

HINGED CENTER SECTION  
OF 14 GA CONSTRUCTION

REAR SECTION  
OF 14 GA CRS  
CONSTRUCTION



**SPECIFICATIONS: NEMA-12 WALL MOUNT**

**RATING:** INDEPENDENTLY TESTED & CERTIFIED, NEMA-250-1997 TYPE 12.

**RACK SPACES:** 19" EIA 310-D COMPLIANT - SEE CHART FOR RMU

**COLOR:** DURABLE BLACK TEXTURED POWDER COAT.

**CONSTRUCTION:** #12-24 THREADED MOUNTING RAILS, #12 GA.  
#14 GA CENTER BODY, #16 GA. FRONT DOOR.  
ACCEPTS 1", 2", 3" CONDUIT SIZES FOR CABLE ACCESS.  
FRONT DOOR & REAR SECTION LOCK INDEPENDENTLY.

PART NUMBER	(H) - HEIGHT	# RMU	WT CAPACIT	SHPG WT
GL240N12	24"	12	150 LBS	105 LBS
GL360N12	36"	19	250 LBS	140 LBS
GL480N12	48"	26	300 LBS	175 LBS