

product spotlight

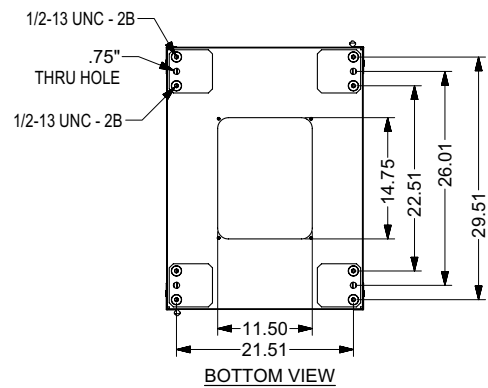
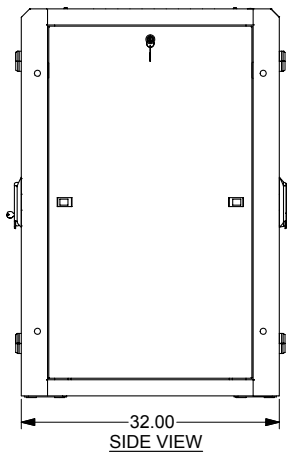
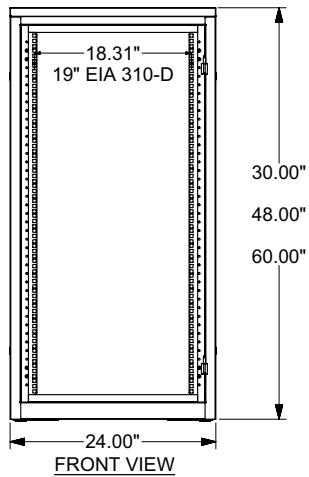
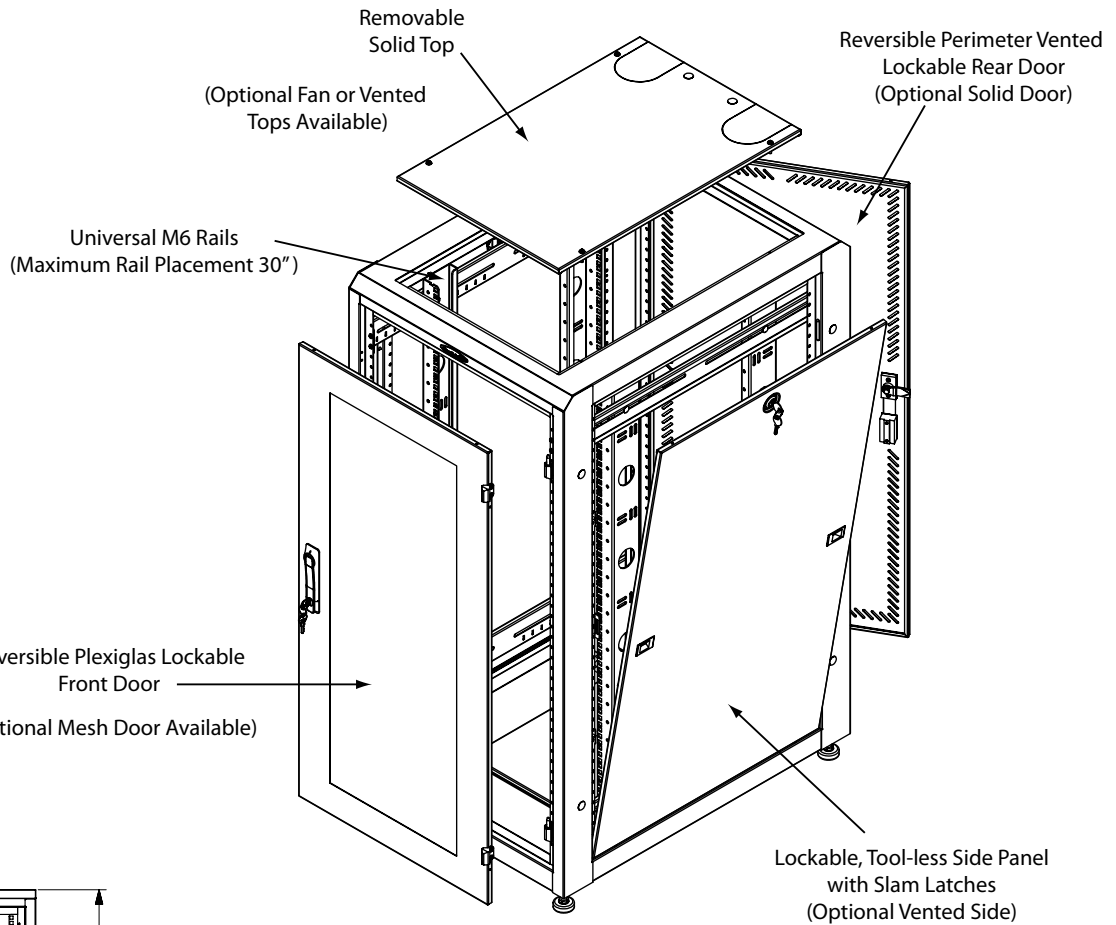
GL300E, GL480E, GL600E

These Enhanced Series Enclosures are great for those applications where space is at a premium. These units provide all the protection of a full size enclosure, but in an economical size. Available in 30", 48" and 60" heights with the following features:

- Universal M6 Rails
- 19" EIA 310-D Compliant
- Removable optional tops
- Reversible Doors
- Lockable sides
- Increased Weight Capacity
- Rails and Individual RMU markings
- Built-in Cable Management Holes and cable tie-down slots as part of mounting rails
- Infinitely adjustable mounting rails
- Networkable
- Multiple Ground Stud Locations

Part No.	Description
GL300E-2432	30.00"H x 24.00"W x 32.00"D, 13 RMU, 300 lb. weight capacity
GL480E-2432	48.00"H x 24.00"W x 32.00"D, 24 RMU, 600 lb. weight capacity
GL600E-2432	60.00"H x 24.00"W x 32.00"D, 31 RMU, 600 lb. weight capacity





CORPORATE HEADQUARTERS

P.O. Box 551
Edinboro, PA 16412
1.866.TRY.GLCC
(1.866.879.4522)
Phone: 814.734.7303
Fax: 814.734.3907
glcc@greatcabinets.com

GREAT LAKES MANUFACTURING, INC.

1521 Enterprise Road
Corry, PA 16407
Phone: 814.734.2436
Fax: 814.665.7025
werackyourworld.com
glm@greatmanufacturing.net

WESTERN DISTRIBUTION

4750 Joule Street
Reno, NV 89502
Phone: 775.829.9913
Fax: 775.829.9926
glcc@greatcabinets.com

GREAT LAKES INTERNATIONAL LTD.

Aerbridge House, Unit 14
Dunshaughlin Business Park
Dunshaughlin Co. Meath
Ireland
Phone: 011 353 1 825 8777
Fax: 011 353 1 825 8778

GREAT LAKES HUNGARY KFT

Zsurló utca 13
8000 Székesfehérvár
Hungary
Phone: 011 36 22 880 420
Fax: 011 36 22 880 429