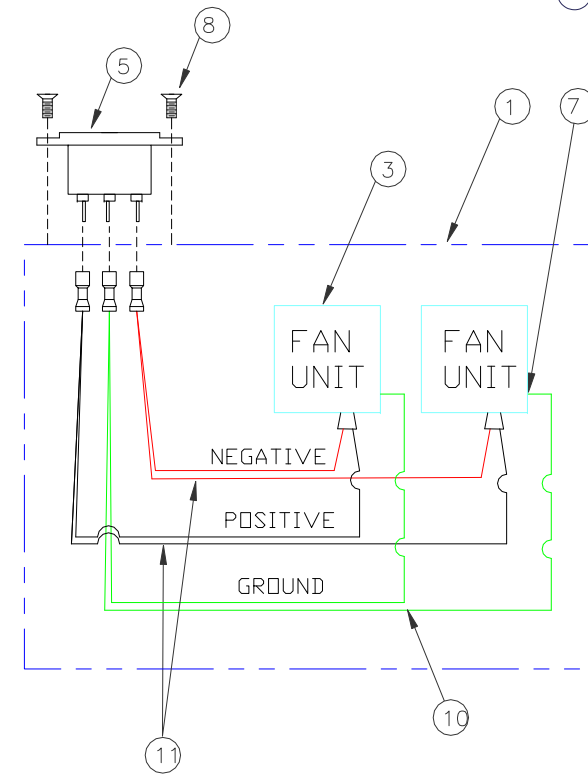
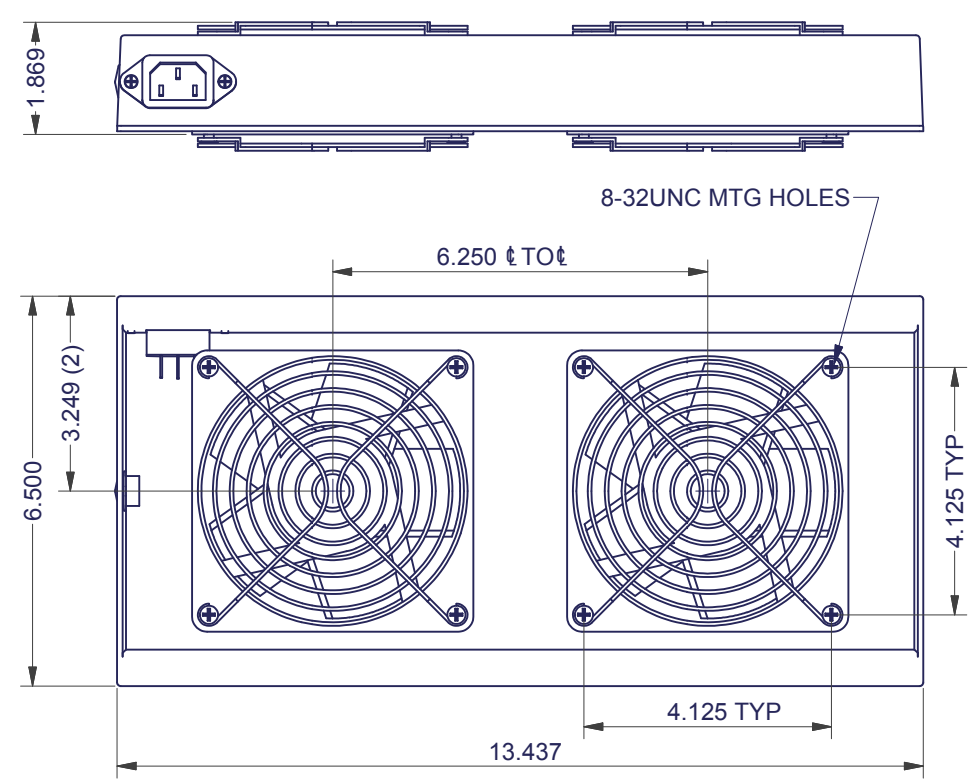
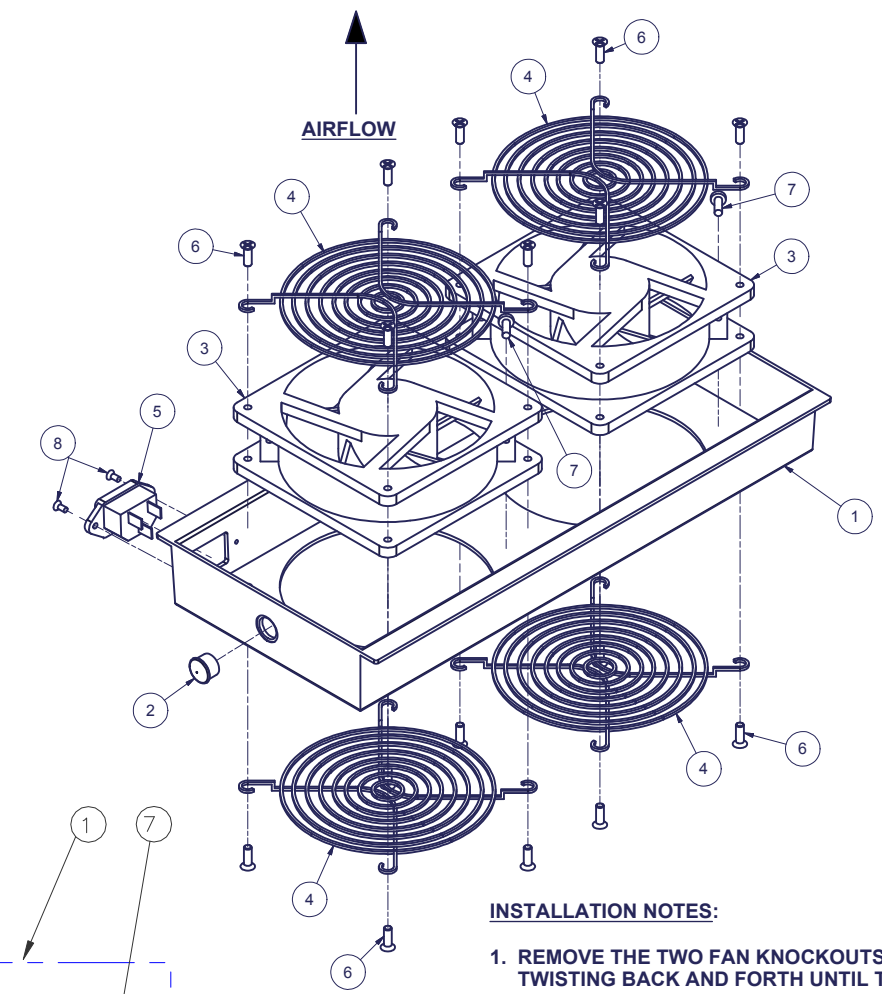
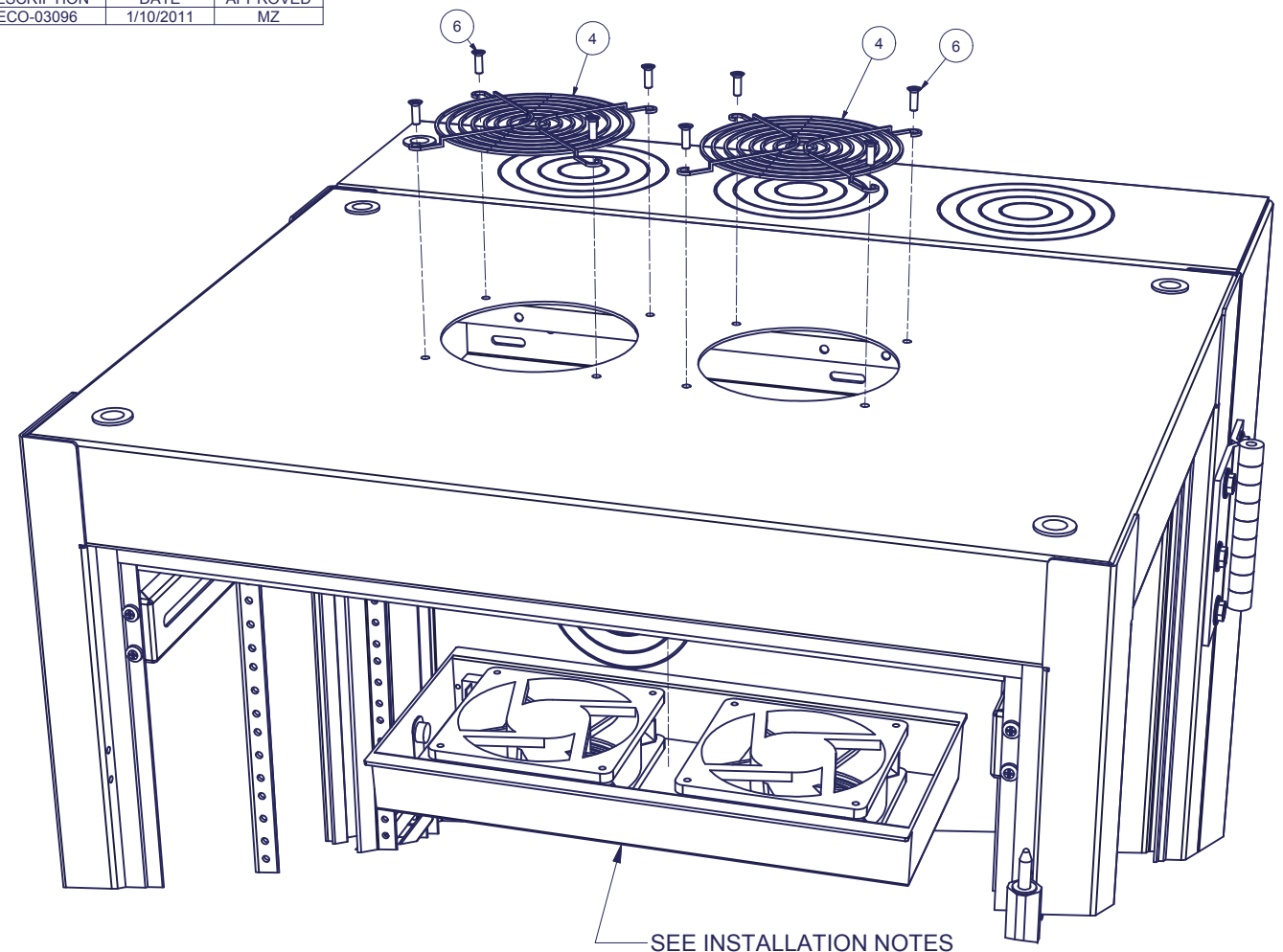


REVISION HISTORY			
REV	DESCRIPTION	DATE	APPROVED
8	ECO-03096	1/10/2011	MZ

Bill of Material						
ITEM	PART NUMBER	STOCK NUMBER	QTY	DESCRIPTION	FILE NAME	REVISION
1	XF07X102P		1	TWO 4" FAN, PLASTIC FAN TRAY, UL APPROVED MATERIAL	I001519.ipt	2
2	2643		1	HEYCO HOLE PLUG #2643, .5" HOLE DIA., BLACK	2643.ipt	-
3	XF01		2	FAN, 75 CFM, 115 VAC (ORION #OA109AP-11-3TB832 OR EQUIV)	XF01.ipt	2
4	XF02BUL		4	FAN GUARD 4" BLACK ZINC, KNIGHT #G109-15B-1	XF02BUL.ipt	1
5	07071CW		1	IEC CONNECTOR - ARCO	07071CW.ipt	-
6	8-32x500SCMACBL		16	#8-32 x 1/2" LG BLACK PHIL. FLAT HEAD MACHINE SCREW	8-32x500SCMACBL.ipt	-
7	M4.7X12PPMSBL		2	M4 x 12 PAN HEAD PHIL SCREW (DELL #M04012MPP1BZRO)	M4 x 12 pan head.ipt	-
8	0404RPF		2	#4-40 x 1/4" TAPTITE PHIL FLAT HD ZN. PL. SCREW	0404RPF.ipt	-
9	GL001743		1	2 FAN GROUNDING WIRE HARNESS ASSEMBLY	XF34.ipt	1
10	C45-2DCT		1	2 FAN POWER WIRING HARNESS ASSEMBLY (KNIGHT)	-	-



INSTALLATION NOTES:

1. REMOVE THE TWO FAN KNOCKOUTS BY PUSHING DOWN ON ONE SIDE AND THEN TWISTING BACK AND FORTH UNTIL THE TABS BREAK OFF.
2. HOLD THE FAN ASSEMBLY UP TO THE INSIDE OF THE TOP OF THE CABINET SO THAT THE MOUNTING HOLES IN THE FANS MATCH UP WITH THE MOUNTING HOLES IN THE TOP OF THE CABINET. MAKE SURE THAT THE FAN POWER CORD RECEPTACLE IS FACING THE REAR OF THE CABINET.
3. PLACE TWO (2) FAN GUARDS OVER THE MOUNTING HOLES IN THE TOP OF THE CABINET.
4. INSERT EIGHT (8) #8-32UNC SCREWS DOWN THROUGH THE FAN GUARDS AND DOWN THROUGH THE TOP OF THE CABINET AND INTO THE FAN ASSEMBLY.
5. TWO (2) FAN GUARDS ARE ALSO INSTALLED ON THE BOTTOM OF THE FAN ASSEMBLY, BUT THEY COME PRE-ASSEMBLED.
6. ALL COMPONENTS USED IN WIRING HARNESS TO BE UL LISTED OR RECOGNIZED.
7. ALSO PACKAGE REQUIRED POWER CORD(S) IN A PLASTIC BAG - PLEASE REFER TO PURCHASE ORDER FOR THE REQUIRED CORD(S) FOR THE CUSTOMER'S SPECIFIC APPLICATION.

INTERPRET DRAWING PER ASME Y14.5M-1994 DIMENSIONAL LIMITS APPLY AFTER APPLICATION OF FINISH DRAWING NOT TO SCALE TOLERANCE UNLESS OTHERWISE NOTED: ANGULAR +/- .1" .XXXX +/- .010 .XXX +/- .015 .XX +/- .030 X FOR REF. ONLY	NOTICE: Use of this document is subject to a confidentiality and nondisclosure agreement with Great Lakes Case & Cabinet Co., Inc. (GLCC) and may not be reproduced, disclosed or utilized in whole or in part without prior written authorization from GLCC.	PART NUMBER: 7217WSX200	TITLE: 2 FAN UNIT ASSEMBLY, 150 CFM, 115VAC
		QTY PER UNIT: 1	GREAT LAKES CASE & CABINET CO., INC. P.O. BOX 551 EDINBORO, PA 16412 PHONE (814) 734-7303 FAX (814) 734-3907 E-MAIL glcc@greatcabinets.com
UNLESS OTHERWISE SPECIFIED ALL DIMENSIONS ARE IN INCHES	THIRD ANGLE PROJECTION	DRAWN: FED DATE: 5/5/2009 CHECKED & APP. DATE: 1/10/2011 WSS	DWG NO.: I013249 REV: 8 SHEET: 1 OF 1