

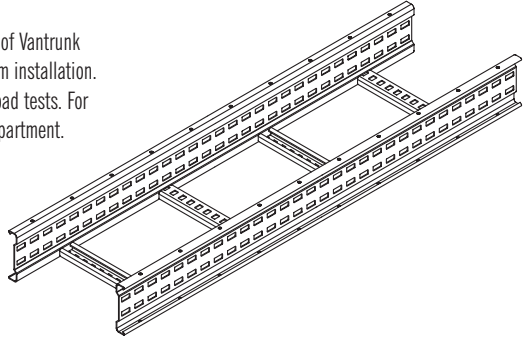
Cable Ladder System

Heavy Duty Ladder System - 125mm depth

Vantrunk Speedway 5 Cable Ladder

Vantrunk Speedway 5 Cable Ladder is manufactured in 3.0m lengths as standard with 6.0m lengths supplied to order. The ladder is manufactured from 2.0mm material throughout. The Cable Ladder is available in standard widths of 150mm, 300mm, 450mm, 600mm, 750mm and 900mm with other widths manufactured to order. Rung spacing is 300mm standard.

The illustrated graph is indicative of the performance of Vantrunk Speedway 5 Cable Ladder in a typical continuous beam installation. The loading figures have been determined by actual load tests. For detailed loading data please contact our technical department.

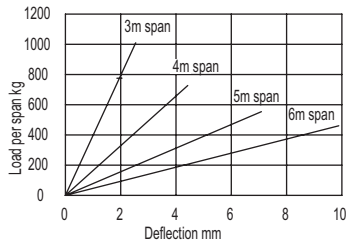


Vantrunk Speedway SW5

Load Deflection Data – Continuous Beam

Width	Anixter Number
150mm	LSL125/150HDG3
300mm	LSL125/300HDG3
450mm	LSL125/450HDG3
600mm	LSL125/600HDG3
750mm	LSL125/750HDG3
900mm	LSL125/900HDG3

SPEEDWAY SW5
LOAD DEFLECTION DATA - CONTINUOUS BEAM



KEY
 ——— APPLICABLE FOR FULL RANGE OF STANDARD WIDTHS
 ——— APPLICABLE FOR WIDTHS 150 TO 750MM INC.

Other sizes available on request.

Standard finish Hot Dipped Galvanised to BS EN ISO 1461: 1999

* Stainless Steel versions available, please ring for prices.

