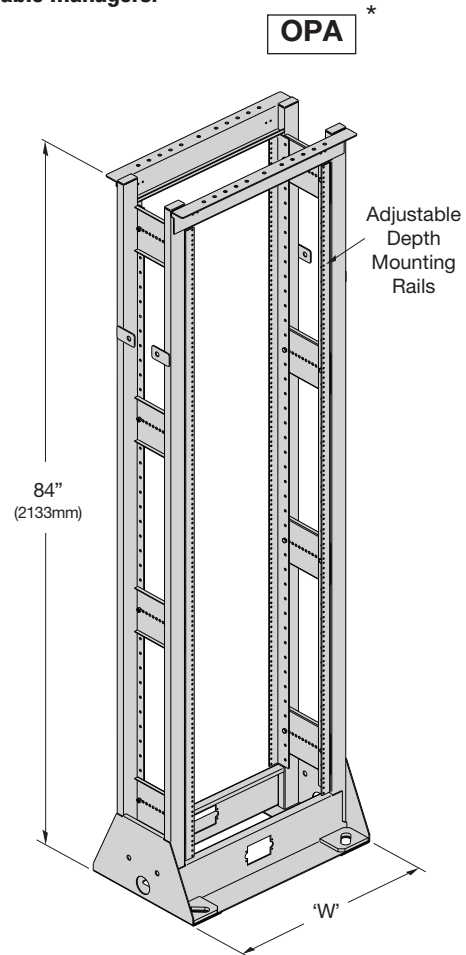
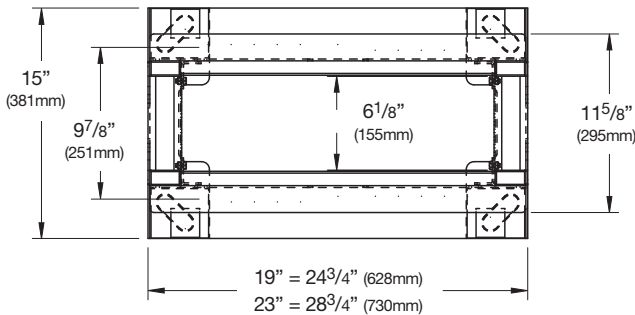


Two Post Seismic Relay Rack 19" & 23" Panel Mounting, Welded Steel

- Independently tested to the NEBS GR-63-CORE Seismic Zone 4 standard and rated for 900 lbs. (408kg) of equipment
- Independent testing conducted in accordance with ICBO AC156 standard for use up to 900 lbs. (408kg).
- Conformance to EIA/ECA-310-E.
- Mounting rail spacing is adjustable from 3" (76mm) to 8" (203mm).
- 43 RMU (rack mounting units).
- Open top, bottom, and sides permit unlimited cable management options.
- Industry standard mounting holes on sides allow attachment of vertical cable managers.
- Top angles drilled for runway attachment.
- Openings in front and rear of base for duplex receptacle mounting.
- Holes for grounding provided in four locations.
- Tubular steel frame provides a high degree of strength to weight ratio.
- Concrete installation requires (4) AWA-62-350 (sold separately)
- Standard finishes: Flat Black Powder Coat (FB) or Telco Gray Powder Coat (TG), Other finishes are available upon request



Part Number	'A' Height		'W' Overall Width		Mounting Spaces	Shipping Weight	
	In.	(mm)	In.	(mm)		Lbs.	(kg)
19" (482mm) Rack Width							
✓ SB85219084	84"	(2133)	24 ³ / ₄ "	(628)	45	130	(58.9)
23" (584mm) Rack Width							
SB85223084	84"	(2133)	28 ³ / ₄ "	(730)	45	137	(62.1)

Note: Also available in 96" (2438mm) height. (Insert 96 for 84 in Part Number)

✓ **FB is a popular item**

*See page 8 for OPA details.