

This specification is OBSOLETE



PXL8-44-PXA

2.4 m | 8 ft Standard Parabolic, Low VSWR Unshielded Antenna, dual-polarized, 4.400–5.000 GHz, CPR187G, gray antenna, molded gray radome with flash, standard pack—one-piece reflector

OBSOLETE

General Specifications

Antenna Type	PXL - Standard Parabolic, Low VSWR Unshielded Antenna, dual-polarized
Diameter, nominal	2.4 m 8 ft
Packing	Standard pack
Radome Color	Gray
Radome Material	Molded
Reflector Construction	One-piece reflector
Antenna Input	CPR187G
Antenna Color	Gray
Antenna Type	PXL - Standard Parabolic, Low VSWR Unshielded Antenna, dual-polarized
Diameter, nominal	2.4 m 8 ft
Flash Included	Yes
Polarization	Dual

Electrical Specifications

Operating Frequency Band	4.400 – 5.000 GHz
Beamwidth, Horizontal	1.8 °
Beamwidth, Vertical	1.8 °
Cross Polarization Discrimination (XPD)	30 dB
Electrical Compliance	ETSI Class 1
Front-to-Back Ratio	45 dB
Gain, Low Band	38.6 dBi
Gain, Mid Band	39.2 dBi
Gain, Top Band	39.7 dBi
Operating Frequency Band	4.400 – 5.000 GHz
Radiation Pattern Envelope Reference (RPE)	2497
Return Loss	30.7 dB
VSWR	1.06

Mechanical Specifications

PXL8-44-PXA



Fine Azimuth Adjustment	±5°
Fine Elevation Adjustment	±5°
Mounting Pipe Diameter	115 mm 4.5 in
Net Weight	114 kg 251 lb
Side Struts, Included	0
Side Struts, Optional	1 inboard 1 outboard
Wind Velocity Operational	110 km/h 68 mph
Wind Velocity Survival Rating	200 km/h 124 mph

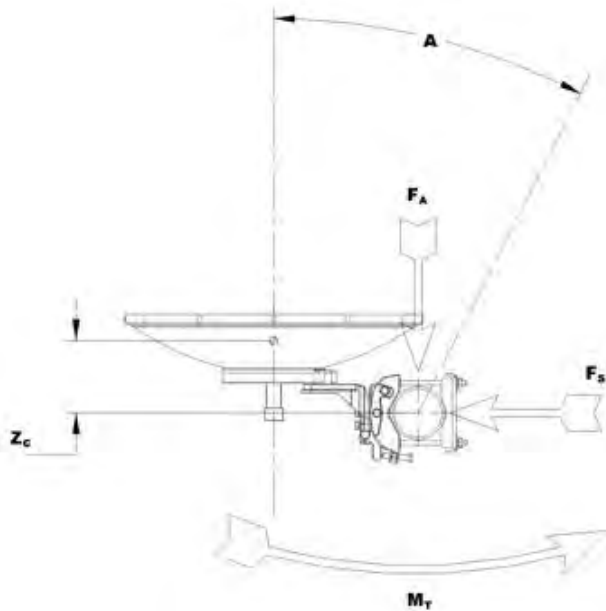
Wind Forces At Wind Velocity Survival Rating

Angle α for MT Max	-125 °
Axial Force (FA)	15372 N 3456 lbf
Side Force (FS)	4196 N 943 lbf
Twisting Moment (MT)	-5349 N•m
Weight with 1/2 in (12 mm) Radial Ice	243 kg 536 lb
Zcg with 1/2 in (12 mm) Radial Ice	427 mm 17 in
Zcg without Ice	343 mm 14 in

PXL8-44-PXA



Wind Forces At Wind Velocity Survival Rating Image



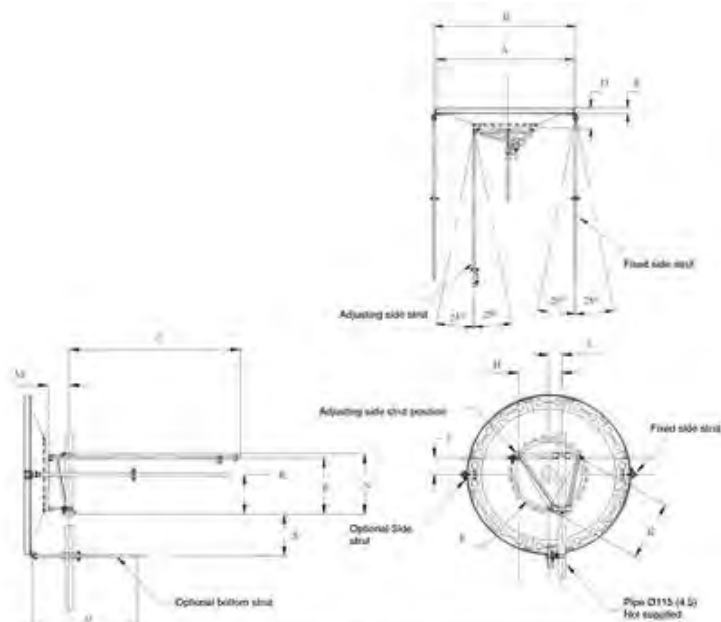
Packed Dimensions

Gross Weight, Packed Antenna	417.0 kg		919.3 lb
Height	2520.0 mm		99.2 in
Length	2710.0 mm		106.7 in
Volume	11.8 m ³		
Width	1730.0 mm		68.1 in

PXL8-44-PXA



Antenna Dimensions And Mounting Information



ANTENNA DIMENSIONS All dimensions in mm (inches)			
A	2555 (100.5)	J	275 (10.75)
B	2705 (106.5)	K	950 (37.5)
C	3050 (120)	L	200 (8)
D	395 (15.5)	M	330 (13)
E	125 (5.0)	N	950 (37.5)
F	1100 (43.25)	P	895 (35.25)
G	1525 (60)	R	625 (24.5)
H	680 (26.75)	S	695 (27.25)

Regulatory Compliance/Certifications

Agency	Classification
ISO 9001:2008	Designed, manufactured and/or distributed under this quality management system

* Footnotes

Axial Force (FA)	Maximum forces exerted on a supporting structure as a result of wind from the most critical direction for this parameter. The individual maximums specified may not occur simultaneously. All forces are referenced to the mounting pipe.
Cross Polarization Discrimination (XPD)	The difference between the peak of the co-polarized main beam and the maximum cross-polarized signal over an angle twice the 3 dB beamwidth of the co-polarized main beam.
Front-to-Back Ratio	Denotes highest radiation relative to the main beam, at $180^\circ \pm 40^\circ$, across the band. Production antennas do not exceed rated values by more than 2 dB unless stated otherwise.
Gain, Mid Band	For a given frequency band, gain is primarily a function of antenna size. The gain of Andrew antennas is determined by either gain by comparison or by computer integration of the measured antenna patterns.

PXL8-44-PXA



Operating Frequency Band	Bands correspond with CCIR recommendations or common allocations used throughout the world. Other ranges can be accommodated on special order.
Packing	Andrew standard packing is suitable for export. Antennas are shipped as standard in totally recyclable cardboard or wire-bound crates (dependent on product). For your convenience, Andrew offers heavy duty export packing options.
Radiation Pattern Envelope Reference (RPE)	Radiation patterns determine an antenna's ability to discriminate against unwanted signals under conditions of radio congestion. Radiation patterns are dependent on antenna series, size, and frequency.
Return Loss	The figure that indicates the proportion of radio waves incident upon the antenna that are rejected as a ratio of those that are accepted.
Side Force (FS)	Maximum side force exerted on the mounting pipe as a result of wind from the most critical direction for this parameter. The individual maximums specified may not occur simultaneously. All forces are referenced to the mounting pipe.
Twisting Moment (MT)	Maximum forces exerted on a supporting structure as a result of wind from the most critical direction for this parameter. The individual maximums specified may not occur simultaneously. All forces are referenced to the mounting pipe.
VSWR	Maximum; is the guaranteed Peak Voltage-Standing-Wave-Ratio within the operating band.
Wind Velocity Operational	The wind speed where the antenna deflection is equal to or less than 0.1 degrees. In the case of ValuLine antennas, it is defined as a maximum deflection of 0.3 x the 3 dB beam width of the antenna.
Wind Velocity Survival Rating	The maximum wind speed the antenna, including mounts and radomes, where applicable, will withstand without permanent deformation. Realignment may be required. This wind speed is applicable to antenna with the specified amount of radial ice.