

**This specification is OBSOLETE**



P4F-19-N7A/E

**1.2 m | 4 ft Standard Parabolic Unshielded Antenna, single-polarized, unpressurized, 1.900–2.300 GHz, N Female, gray antenna, with flash, standard pack—one-piece reflector**

## **OBSOLETE**

**This product was discontinued on: March 31, 2012**

**This part number is supported until: March 31, 2012**

## General Specifications

Antenna Type	PF - Standard Parabolic Unshielded Antenna, single-polarized, unpressurized
Diameter, nominal	1.2 m   4 ft
Packing	Standard pack
Reflector Construction	One-piece reflector
Antenna Input	N Female
Antenna Color	Gray
Antenna Type	PF - Standard Parabolic Unshielded Antenna, single-polarized, unpressurized
Diameter, nominal	1.2 m   4 ft
Flash Included	Yes
Polarization	Single

## Electrical Specifications

Operating Frequency Band	1.900 – 2.300 GHz
Beamwidth, Horizontal	8.2 °
Beamwidth, Vertical	8.2 °
Cross Polarization Discrimination (XPD)	30 dB
Electrical Compliance	ETSI Class 1B
Front-to-Back Ratio	33 dB
Gain, Low Band	24.8 dBi
Gain, Mid Band	25.7 dBi
Gain, Top Band	26.6 dBi
Operating Frequency Band	1.900 – 2.300 GHz
Radiation Pattern Envelope Reference (RPE)	1863D
Return Loss	20.8 dB
VSWR	1.20

## Mechanical Specifications

# Product Specifications

P4F-19-N7A/E



Fine Azimuth Adjustment	±15°
Fine Elevation Adjustment	±20°
Mounting Pipe Diameter	115 mm   4.5 in
Net Weight	54 kg   119 lb
Side Struts, Included	1 inboard
Side Struts, Optional	1 inboard
Wind Velocity Operational	110 km/h   68 mph
Wind Velocity Survival Rating	200 km/h   124 mph

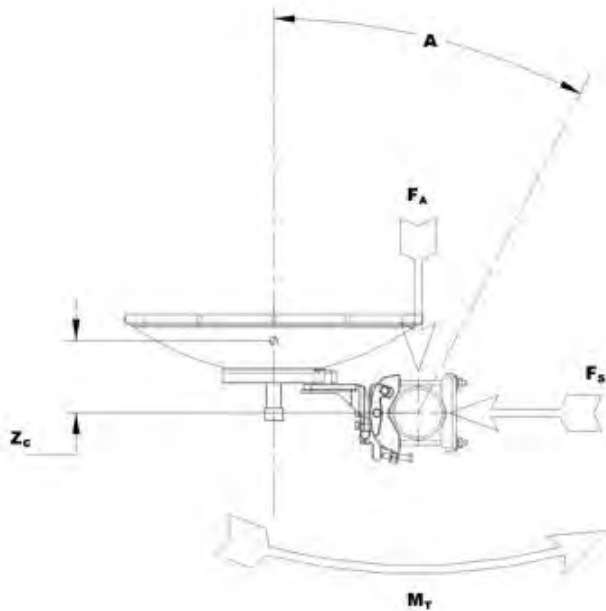
## Wind Forces At Wind Velocity Survival Rating

Angle $\alpha$ for MT Max	-130 °
Axial Force (FA)	3881 N   872 lbf
Side Force (FS)	552 N   124 lbf
Twisting Moment (MT)	1236 N•m
Weight with 1/2 in (12 mm) Radial Ice	130 kg   287 lb
Zcg with 1/2 in (12 mm) Radial Ice	346 mm   14 in
Zcg without Ice	203 mm   8 in

P4F-19-N7A/E



## Wind Forces At Wind Velocity Survival Rating Image

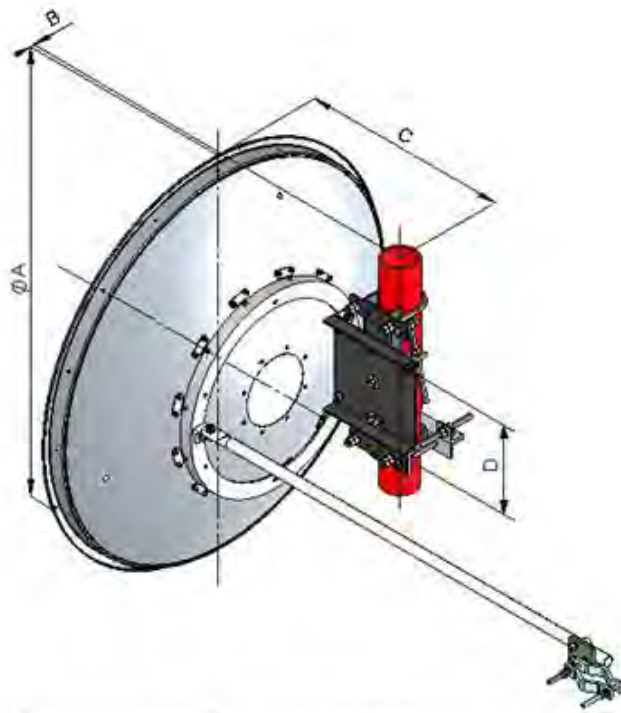


### Packed Dimensions

Gross Weight, Packed Antenna	152.0 kg   335.1 lb
Height	840.0 mm   33.1 in
Length	1430.0 mm   56.3 in
Volume	1.7 m <sup>3</sup>
Width	1430.0 mm   56.3 in



## Antenna Dimensions And Mounting Information



Dimensions in Inches (mm)				
Antenna Size, ft (m)	A	B	C	D
4 (1.2)	50.8 (1291)	12.5 (318)	16.2 (411)	11.8 (299)

## Regulatory Compliance/Certifications

Agency	Classification
ISO 9001:2008	Designed, manufactured and/or distributed under this quality management system

### \* Footnotes

Axial Force (FA)	Maximum forces exerted on a supporting structure as a result of wind from the most critical direction for this parameter. The individual maximums specified may not occur simultaneously. All forces are referenced to the mounting pipe.
Cross Polarization Discrimination (XPD)	The difference between the peak of the co-polarized main beam and the maximum cross-polarized signal over an angle twice the 3 dB beamwidth of the co-polarized main beam.
Front-to-Back Ratio	Denotes highest radiation relative to the main beam, at $180^\circ \pm 40^\circ$ , across the band. Production antennas do not exceed rated values by more than 2 dB unless stated otherwise.
Gain, Mid Band	For a given frequency band, gain is primarily a function of antenna size. The gain of Andrew antennas is determined by either gain by comparison or by computer integration of the measured antenna patterns.

P4F-19-N7A/E



Operating Frequency Band	Bands correspond with CCIR recommendations or common allocations used throughout the world. Other ranges can be accommodated on special order.
Packing	Andrew standard packing is suitable for export. Antennas are shipped as standard in totally recyclable cardboard or wire-bound crates (dependent on product). For your convenience, Andrew offers heavy duty export packing options.
Radiation Pattern Envelope Reference (RPE)	Radiation patterns determine an antenna's ability to discriminate against unwanted signals under conditions of radio congestion. Radiation patterns are dependent on antenna series, size, and frequency.
Return Loss	The figure that indicates the proportion of radio waves incident upon the antenna that are rejected as a ratio of those that are accepted.
Side Force (FS)	Maximum side force exerted on the mounting pipe as a result of wind from the most critical direction for this parameter. The individual maximums specified may not occur simultaneously. All forces are referenced to the mounting pipe.
Twisting Moment (MT)	Maximum forces exerted on a supporting structure as a result of wind from the most critical direction for this parameter. The individual maximums specified may not occur simultaneously. All forces are referenced to the mounting pipe.
VSWR	Maximum; is the guaranteed Peak Voltage-Standing-Wave-Ratio within the operating band.
Wind Velocity Operational	The wind speed where the antenna deflection is equal to or less than 0.1 degrees. In the case of ValuLine antennas, it is defined as a maximum deflection of 0.3 x the 3 dB beam width of the antenna.
Wind Velocity Survival Rating	The maximum wind speed the antenna, including mounts and radomes, where applicable, will withstand without permanent deformation. Realignment may be required. This wind speed is applicable to antenna with the specified amount of radial ice.