

Installation Instructions

55053 - STANDARD RACK, GROUND READY

Safety Information



WARNING: This self-supporting rack must be securely anchored to the floor. See below for floor mounting hardware kits available from CPI.



WARNING: This self supporting rack is designed to support a maximum of 1000 lbs. Distribute the load on the racks evenly from front to back with the heavier items low on the rack.

Tools Required

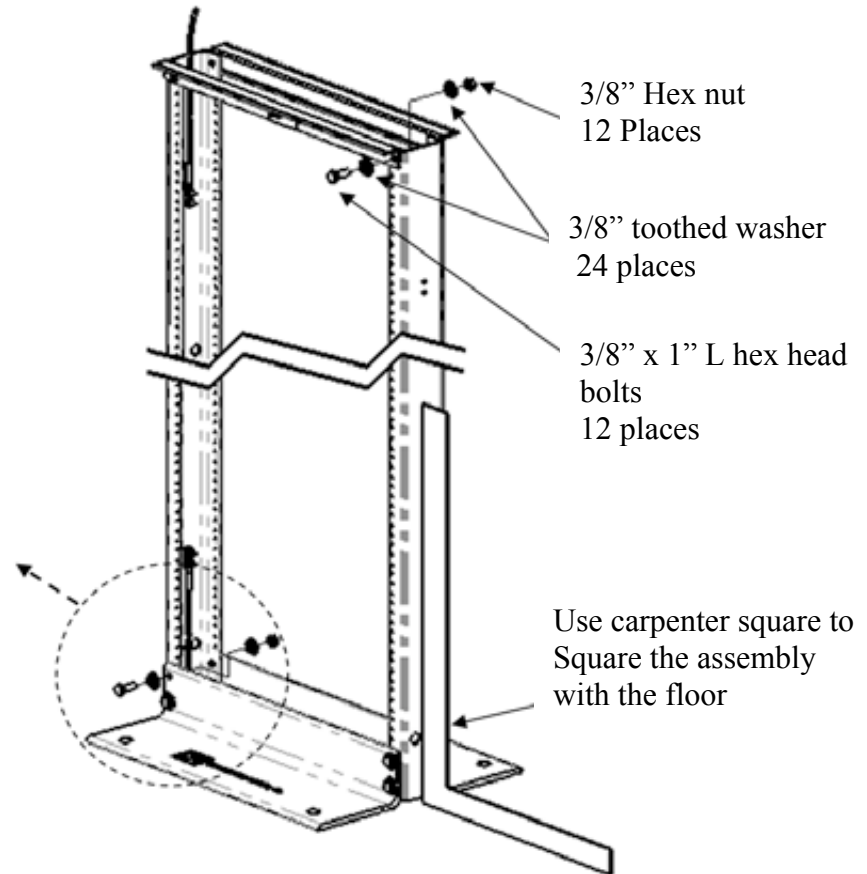
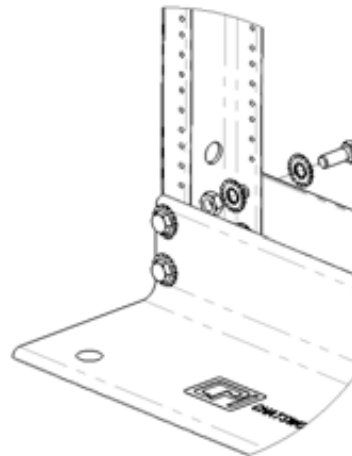
9/16" box-end wrench or socket
Carpenter's square
Measuring tape or rule

Included Hardware

12 ea. 3/8" x 1"L hex head bolts
12 ea. 3/8" hex nuts
24 ea. 3/8" toothed paint-cutting washer
1 pkg. 12-24x5/8"L Combo head screws 50 ct

Assembly Sequence

- 1) Assemble the rack lying on the floor. Do not tighten the bolts yet.
- 2) Stand the rack upright.
- 3) Square the rack supports with the floor and tighten the bolts securely.
- 4) Recommended torque: 17 to 19 ft-lbs.



CHATSWORTH PRODUCTS, INC.

IIS-755053,04/25/13, Rev. 1, CPI/JBE/JL
800-834-4969 (USA & Canada) • www.chatsworth.com •
techsupport@chatsworth.com
For international phone numbers, see our website or contact CPI Tech Support.

This drawing contains proprietary and confidential information and is protected by U.S. and international law. Unauthorized reproduction, disclosure or use of the drawing or the information therein is expressly forbidden except as agreed to in writing by Chatsworth Products, Inc.

Installation Instructions

55053 - STANDARD RACK, GROUND READY

- 5) Verify the mounting hole spacing according to the rack size as indicated in figure 2. Adjust the rack as needed.
- 6) The rack must be securely anchored to the floor. Floor mounting kits may be ordered from CPI as follows. Reference Figure 3, next page:
 - Concrete floor, 3/8" hardware, CPI kit P/N: 40604-001
 - Concrete floor, 1/2" hardware, CPI kit P/N: 40604-003
 - Wood floor, 3/8" Hardware, CPI kit P/N: 40607-001
 - Raised floor support, contact customer support to determine the proper kit for your rack.
- 7) Ground studs are provided in two locations on one of the supports. Optional ground jumper (CPI p/n 40159-008) may be installed in the upper location to exit the top of the rack or the lower location to exit the bottom. Refer to the installation instructions in the ground jumper kit.

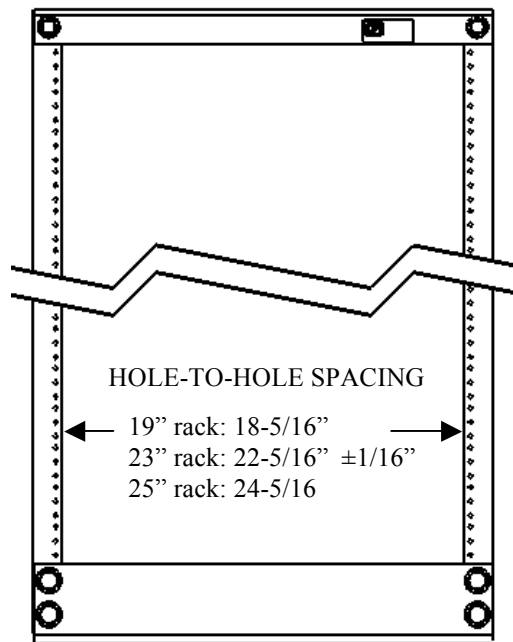


Fig. 2, EIA Spacing

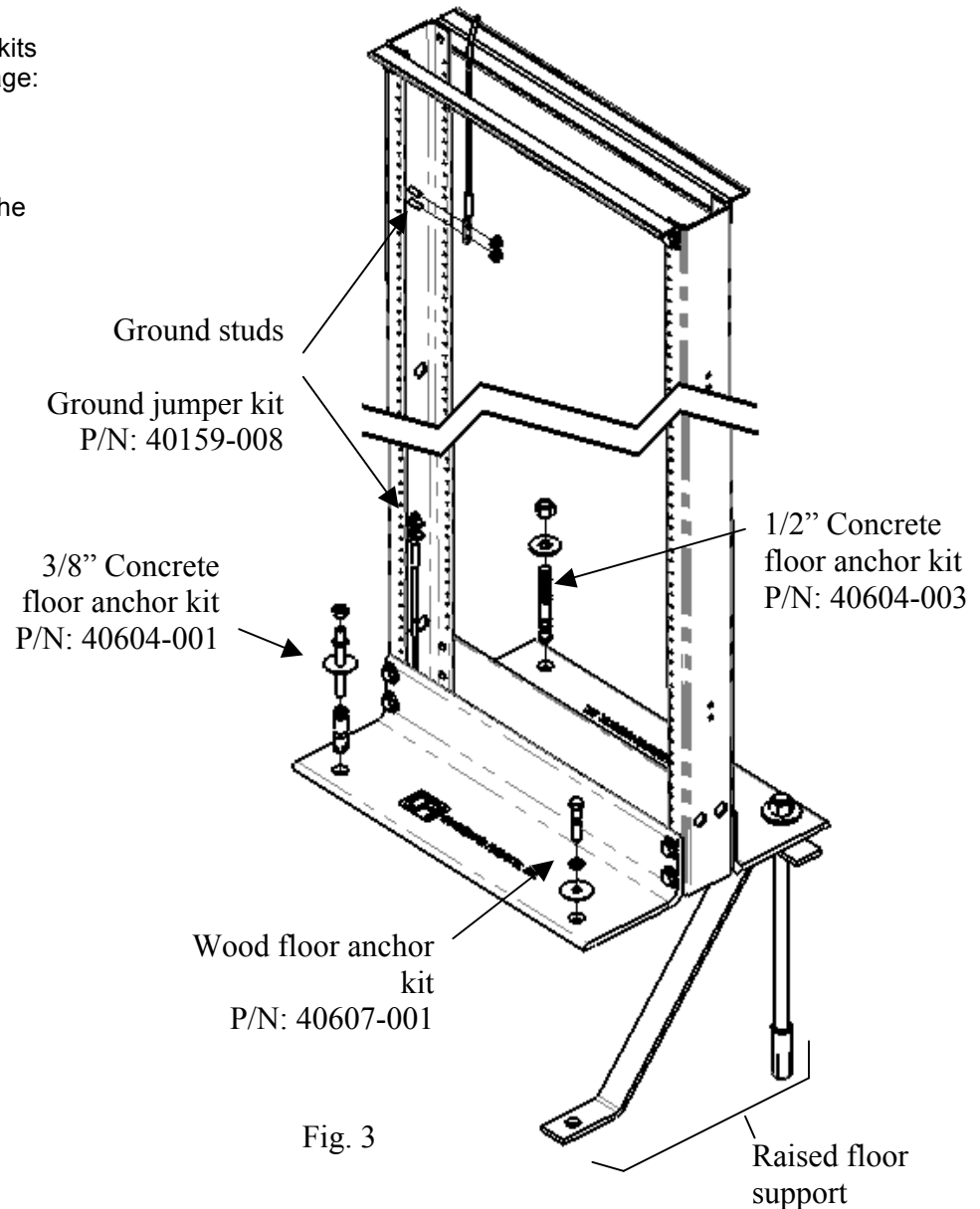


Fig. 3