

Installation Instructions

UNIVERSAL RACK

Safety Information



WARNING: This self-supporting rack must be securely anchored to the floor. See below for floor mounting hardware kits available from CPI.



WARNING: This self supporting rack is designed to support a maximum of 1500 lbs. Distribute the load on the racks evenly from front to back with the heavier items low on the rack.

Tools Required

3/4" box-end wrench or socket
9/16" box-end wrench or socket
Carpenters square
Measuring tape or rule

Included Hardware

4 ea. 3/8" x 7/8"L hex head bolts (Not in Flush-Mount versions)
4ea. 3/8" x 3/4"L flat-head bolts (in Flush-Mount version only)
8 ea. 1/2" x 1"L hex head bolts
4 ea. 3/8" toothed paint-cutting washer (Not in Flush-Mount versions)
8 ea. 1/2" toothed paint-cutting washer
2 ea. 1/4-20 flanged hex nuts
1 pkg. 12-24x5/8"L Phillips head screws, 50 CT

Assembly Sequence

- 1) Assemble the rack, as shown in figure 1, lying on the floor. Do not tighten the bolts yet.
- 2) Stand the rack upright.
- 3) Square the rack supports with the floor and tighten the bolts securely.
- 4) Recommended torque:
 - 3/8"-16 bolts: 17 to 19 ft-lbs.
 - 1/2"-13 bolts: 33 to 37 ft-lbs.

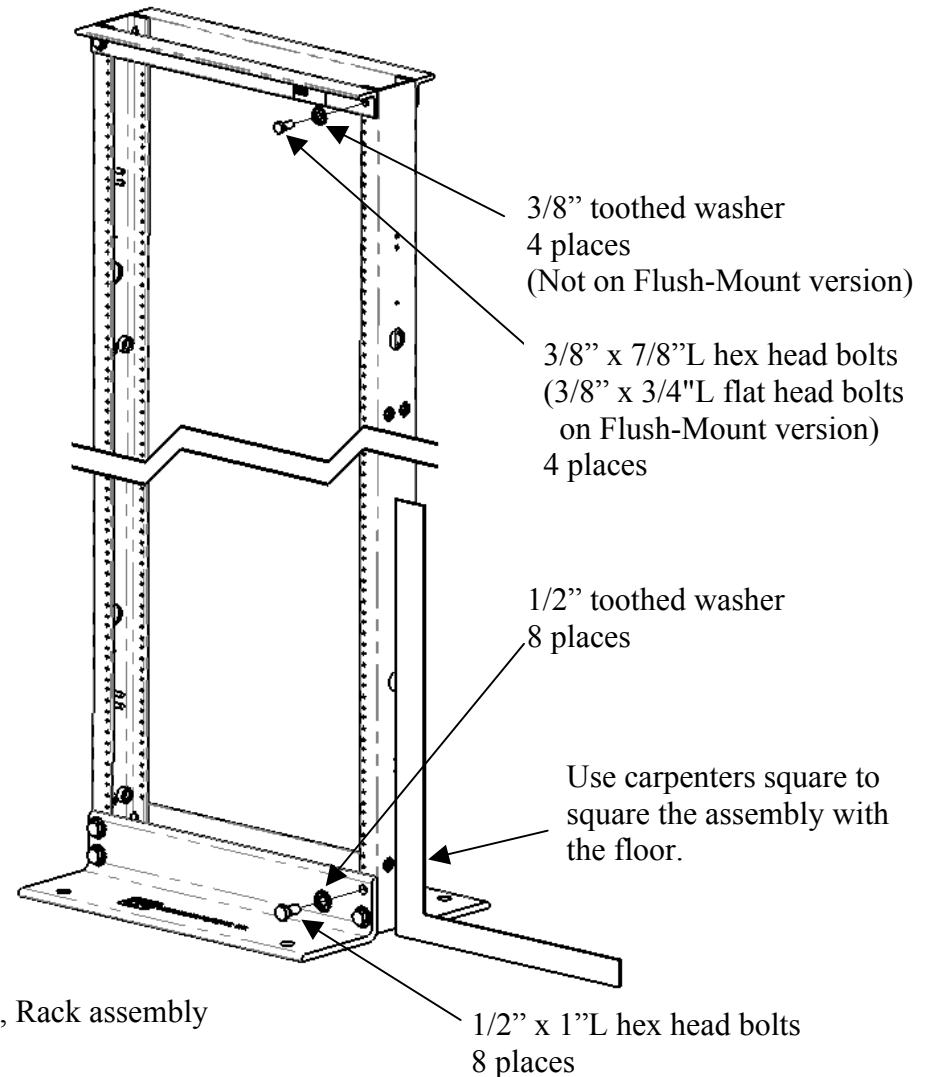


Fig. 1, Rack assembly



CHATSWORTH PRODUCTS, INC.

IIS-746353,06/01/11, Rev. 1, CPI/JBE
800-834-4969 (USA & Canada) • www.chatsworth.com •
techsupport@chatsworth.com
For international phone numbers, see our website or contact CPI Tech Support.

This drawing contains proprietary and confidential information and is protected by U.S. and international law. Unauthorized reproduction, disclosure or use of the drawing or the information therein is expressly forbidden except as agreed to in writing by Chatsworth Products, Inc.

Installation Instructions

UNIVERSAL RACK

- 5) Verify the mounting hole spacing according to the rack size as indicated in figure 2. Adjust the rack as needed.
- 6) The rack must be securely anchored to the floor. Floor mounting kits may be ordered from CPI as follows. Reference Figure 3
 - Concrete floor, 3/8" hardware, CPI kit P/N: 40604-001
 - Concrete floor, 1/2" hardware, CPI kit P/N: 40604-003
 - Wood floor, 3/8" hardware, CPI kit P/N: 40607-001
 - Raised floor support, contact customer support to determine the proper kit for your rack.
- 7) Studs are provided in two locations on one of the supports along with two nuts in the hardware package for attaching a grounding jumper. To route the ground wire out the top of the rack use the upper studs and the lower studs to route it out the bottom of the rack.
 - Available ground jumper kit P/N: 40159-008
 - Ground jumper 10-pack P/N: 10459-018

NOTE: On the Flush-Mount version, the top angles will not be grounded.

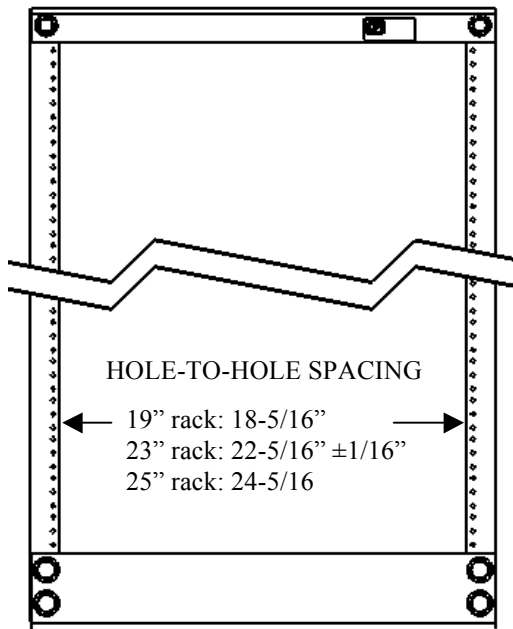


Fig. 2, EIA Spacing

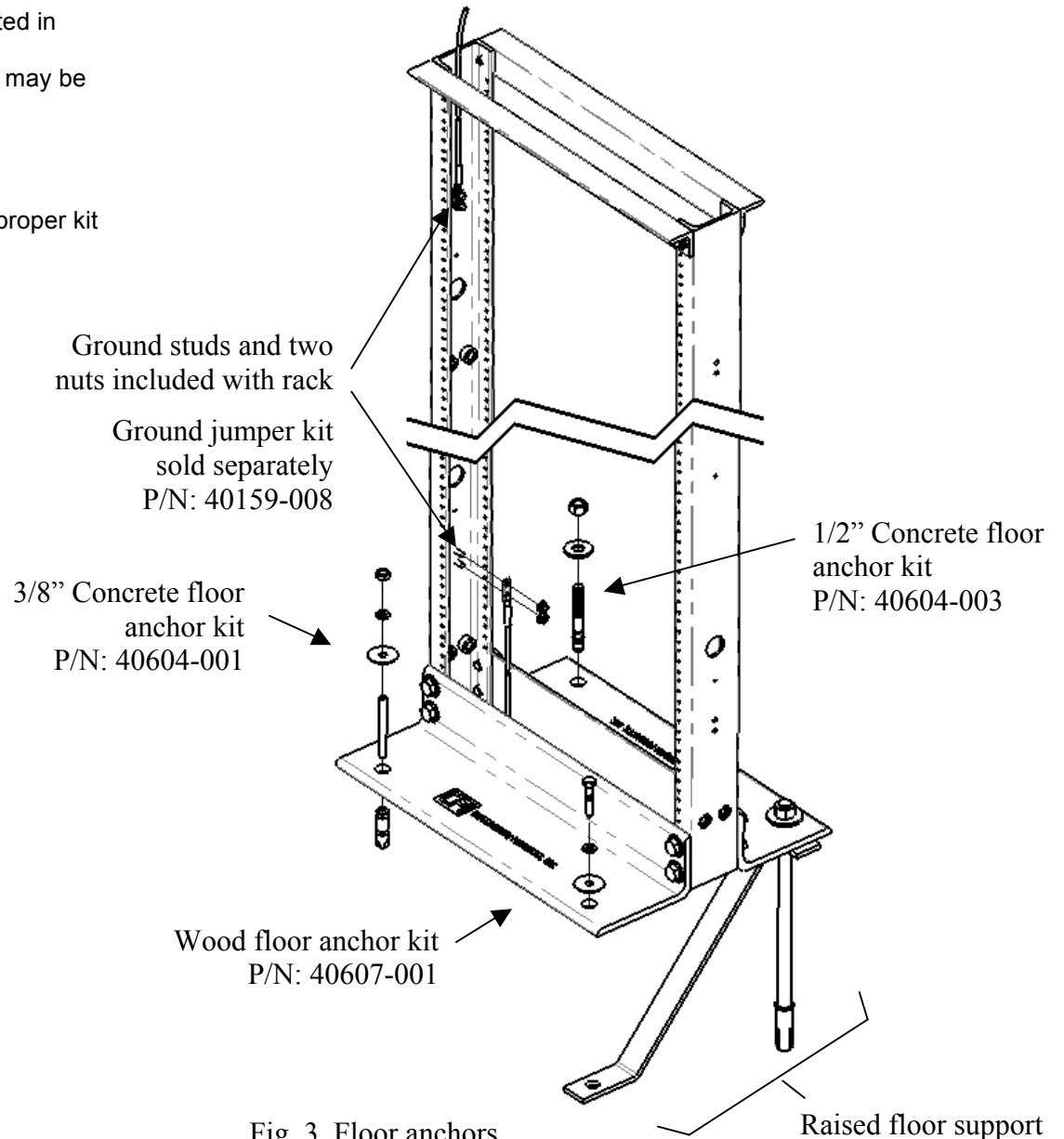


Fig. 3, Floor anchors