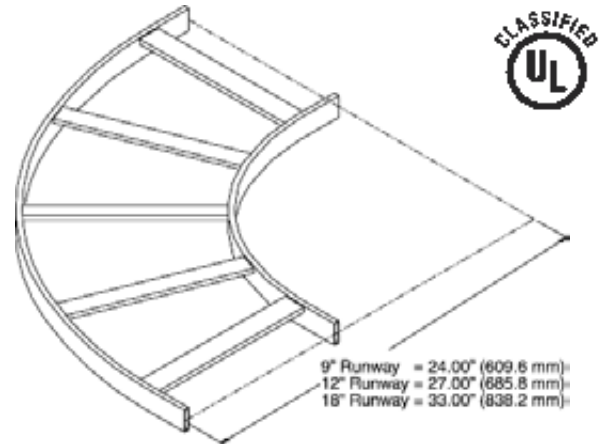


Product Cut Sheet

CABLE RUNWAY E-BEND

Creates a 90 degree gradual sweep in horizontal plane for Cable Runway runs. Designed for cabling in conformance with minimum bend radius requirements (typically 4 times the cable diameter). Made of lightweight 1-1/2" x 3/8" (38.1 mm x 9.53 mm) tubular steel to fit standard Cable Runway. Cross members welded at approximately 23 degree increments.

- Conforms to Category 5e/6/6a requirements
- Easy installation using CPI Butt-Splices (P/N 11301-001, not included)



| Part Number 9" W (230 mm) | Part Number 12" W (300 mm) | Part Number 18" W (460 mm) |
|------------------------------|-------------------------------|-------------------------------|
| 10822-X09 | 10822-X12 | 10822-X18 |

X=Color; 0=Gold, 1=Gray, 2=Computer Beige, 7=Black, E=Glacier White. Only gold E-Bends are UL Classified.

800-834-4969 in U.S. & Canada • www.chatsworth.com



CHATSWORTH PRODUCTS

©2013 Chatsworth Products, Inc. All rights reserved. CPI, CPI Passive Cooling, GlobalFrame, MegaFrame, Saf-T-Grip, Seismic Frame, SlimFrame, TeraFrame, Cube-IT Plus, Evolution, OnTrac, Velocity and QuadraRack are federally registered trademarks of Chatsworth Products. eConnect and Simply Efficient are trademarks of Chatsworth Products. All other trademarks belong to their respective companies. 6/13