

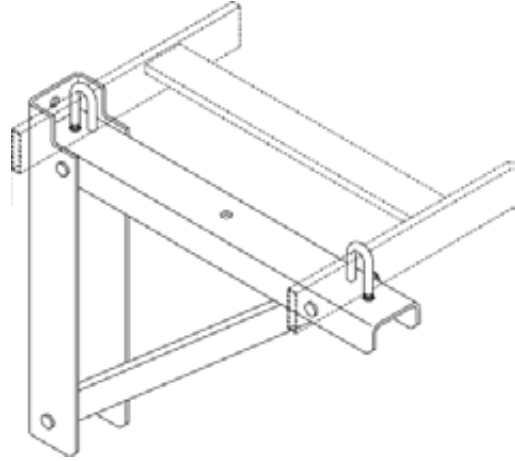
Product Cut Sheet

TRIANGULAR SUPPORT BRACKET, STEEL

Triangular Support Bracket provides wall support for cable runway. Made of cold rolled steel. Load rating is 400 lb (181.4 kg).

Kit consists of:

- (1) vertical wall-mounting bracket
- (1) runway support channel
- (1) angle support channel
- (3) clevis pins (5/16" diameter) & cotter pins
- (2) 5/16-18 x 2 1/4" J-bolts
- (2) 5/16-18 hex nuts & 5/16 lock washers



Part Number	Runway Widths in (mm)	Shipping Weight lb (kg)
11746-X12	6, 12 (150, 300)	5 (2.3)
11746-X18	18 (460)	8 (3.6)
11746-X24	24 (610)	9 (4.1)

X=color: 0=Gold, 1=Gray, 2=Computer Beige, 7=Black, E=Glacier White. Kits have gold colored hardware. Gray (-1) and Black (-7) kits have black colored hardware.

800-834-4969 in U.S. & Canada • www.chatsworth.com



CHATSWORTH PRODUCTS

©2013 Chatsworth Products, Inc. All rights reserved. CPI, CPI Passive Cooling, GlobalFrame, MegaFrame, Saf-T-Grip, Seismic Frame, SlimFrame, TeraFrame, Cube-IT Plus, Evolution, OnTrac, Velocity and QuadraRack are federally registered trademarks of Chatsworth Products. eConnect and Simply Efficient are trademarks of Chatsworth Products. All other trademarks belong to their respective companies. 6/13