



CHATSWORTH PRODUCTS, INC.

Organize.
Store.
Secure.™



Wall-Mount Systems



Extra Capacity Wall Bracket

Fixed Wall-Mount Rack

Wall-Mount Rack Enclosure

Hinged Panel Mounting Bracket

Standard Swing Gate Wall Rack

Cube-iT PLUS Cabinet System

For small networks, provides 6 rack-mount spaces for up to 150 lb of equipment. Equipment attaches to the top of the bracket and hangs parallel to the surface of the wall. Bracket projects 12-1/4" from the wall and is only 6-1/8" high. All-aluminum construction, unassembled.

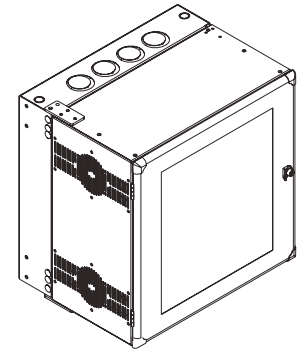
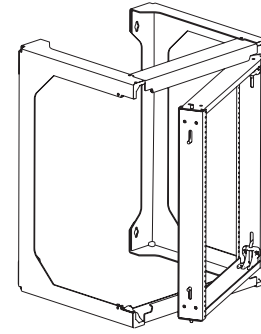
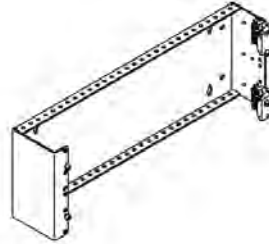
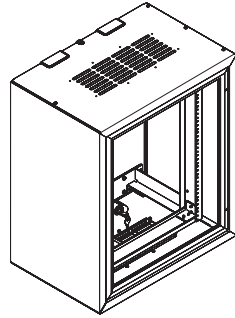
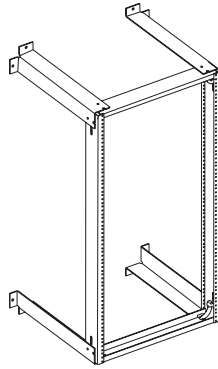
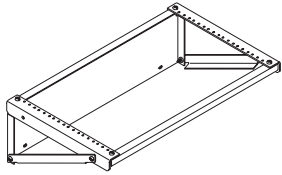
Use Fixed Wall-Mount Rack when equipment weight exceeds the load bearing capacity of a CPI Swing Gate Rack. Fixed Wall-Mount Rack is available in three heights and three depths. Support up to 200 lb. Heavy-duty model supports up to 350 lb. Most rack shelves can be used with the Fixed Wall-Mount Rack.

Select sizes of the Fixed Wall-Mount Rack are available with an enclosure to provide added physical security for equipment. Enclosures feature a locking door and vented top and bottom panels. A fan kit can be added to increase air changes. The enclosure can be removed when servicing equipment.

Ideal for supporting a few patch panels in a small office. Hinged Panel Mounting Bracket provides easy access to rear of equipment (as with Swing Gate Rack). The bracket mounts to the wall; panels pivot open on the included hinges. Attach cables to the tie points at the top and bottom of the bracket. The bracket is available in 10 sizes (five heights, two depths) and supports up to 30 lb of 19" EIA equipment.

Standard Swing Gate Wall Rack pivots open to the right or left to provide easy access to the rear of equipment and is ideal for storing the mix of patch panels and equipment typical in most small telecommunications rooms. Available in four heights and three depths, including a 25" deep version, Standard Swing Gate Wall Rack will support up to 100 lb of equipment, up to 150 lb with an auxiliary bracing kit.

If you need strength, physical security and utility, Cube-iT Plus Wall Cabinet is the answer. Cube-iT is a series of wall-mounted and floor-supported telecommunications enclosures designed to secure equipment for a cross connect. The wall-mount Cube-iT will support up to 200 lb of equipment and the floor-supported Cube-iT will support up to 1000 lb of equipment. The cabinets are copper and fiber ready, and feature easy access to the front and rear of the cabinet. Available in five heights and four depths and ships fully assembled with mounting hardware.



Extra Capacity Wall Bracket

Fixed Wall-Mount Rack

Fixed Wall Rack With Enclosure

Hinged Panel Mounting Bracket

Standard Swing Gate Wall Rack

Cube-IT PLUS Cabinet System

Part No.	Description	Wt.
11754-X19	19"W x 6U, 12.25"D	5 lb

**Note: Designate finish color: (-1) for Gray, (-2) for White, (-5) for Grained Aluminum and (-7) for Black. Other styles available. Contact Tech Support at 800-834-4969 for additional options.*

Key Accessories

Part No.	Description	Wt.
40605-001	#12-24 Screws, Bag of 50	1 lb
40605-005	#12-24 Screws, 50, Black	1 lb

Part No.	Description	Wt.
11960-X06	19"W x 24.5"H x 6"D, 13U	9 lb
11961-X06	19"W x 38.5"H x 6"D, 21U	10 lb
11962-X06	19"W x 73.5"H x 6"D, 41U	15 lb
11960-X12	19"W x 24.5"H x 12"D, 13U	10 lb
11961-X12	19"W x 38.5"H x 12"D, 21U	11 lb
11962-X12	19"W x 73.5"H x 12"D, 41U	16 lb
11960-X18	19"W x 24.5"H x 18"D, 13U	13 lb
11961-X18	19"W x 38.5"H x 18"D, 21U	15 lb
11962-X18	19"W x 73.5"H x 18"D, 41U	19 lb

**Note: Designate finish color: (-1) for Gray, (-2) for White, (-5) for Grained Aluminum and (-7) for Black. Other styles available. Contact Tech Support at 800-834-4969 for additional options.*

Key Accessories

Part No.	Description	Wt.
11799-001	Cable Rings, Set of 6	2 lb
12858-001	Corner Cushions, Set of 4	1 lb
40605-001	#12-24 Screws, Bag of 50	1 lb
40605-005	#12-24 Screws, 50, Black	1 lb

Part No.	Description	Wt.
12264-X16	19"W x 24.5"H x 12"D, 13U Solid Metal Door	44 lb
12265-X16	19"W x 24.5"H x 12"D, 13 U Solid Plexiglass Door	44 lb
12324-X22	19"W x 38.5"H x 18"D, 21U Solid Metal Door	60 lb
12325-X22	19"W x 38.5"H x 18"D, 21U Solid Plexiglass Door	60 lb

**Note: Designate finish color: (-1) for Gray, (-2) for White, (-5) for Grained Aluminum and (-7) for Black. Other styles available. Contact Tech Support at 800-834-4969 for additional options.*

Key Accessories

Part No.	Description	Wt.
11755-003	100 CFM Fan/Filter Kit	3 lb
40605-001	#12-24 Screws, Bag of 50	1 lb
40605-005	#12-24 Screws, 50, Black	1 lb

Part No.	Description	Wt.
11521-X04	19"W x 3.50"H x 4"D, 2 RMU	2 lb
11522-X04	19"W x 5.25"H x 4"D, 2 RMU	3 lb
11523-X04	19"W x 7.00"H x 4"D, 4 RMU	5 lb
11524-X04	19"W x 8.75"H x 4"D, 5 RMU	6 lb
11525-X04	19"W x 10.5"H x 4"D, 6 RMU	7 lb
11521-X08	19"W x 3.50"H x 8"D, 2 RMU	3 lb
11522-X08	19"W x 5.25"H x 8"D, 2 RMU	4 lb
11523-X08	19"W x 7.00"H x 8"D, 4 RMU	6 lb
11524-X08	19"W x 8.75"H x 8"D, 5 RMU	7 lb
11525-X08	19"W x 10.5"H x 8"D, 6 RMU	8 lb

**Note: Designate finish color: (-1) for Gray, (-2) for White, (-5) for Grained Aluminum and (-7) for Black. Other styles available.*

Key Accessories

Part No.	Description	Wt.
40605-001	#12-24 Screws, Bag of 50	1 lb
40605-005	#12-24 Screws, 50, Black	1 lb

Part No.	Description	Wt.
11790-X18	19"W x 24.5"H x 18"D, 13U	23 lb
11791-X18	19"W x 38.5"H x 18"D, 21U	27 lb
11807-X18	19"W x 49.0"H x 18"D, 47U	30 lb
11792-X18	19"W x 73.5"H x 18"D, 41U	30 lb
11790-X25	19"W x 24.5"H x 25"D, 13U	42 lb
11791-X25	19"W x 38.5"H x 25"D, 21U	46 lb
11807-X25	19"W x 49.0"H x 25"D, 27U	50 lb
11792-X25	19"W x 73.5"H x 25"D, 41U	50 lb

**Note: Designate finish color: (-1) for Gray, (-2) for White, (-5) for Grained Aluminum and (-7) for Black. Other sizes and styles available.*

Key Accessories

Part No.	Description	Wt.
11799-001	Cable Rings, Set of 6	2 lb
12795-X01	Heavy-Duty Bracket	4 lb
12858-001	Corner Cushions, Set of 4	1 lb
40605-001	#12-24 Screws, Bag of 50	1 lb
40605-005	#12-24 Screws, 50, Black	1 lb

Part No.	Description	Wt.
11890-X24	19"W x 24"H x 18"D, 12U Tapped #12-24 Rails Solid Metal Door	70 lb
11840-X36	19"W x 36"H x 24"D, 12U Tapped #12-24 Rails Solid Metal Door	79 lb
11890-X48	19"W x 48"H x 18"D, 18U Tapped #12-24 Rails Solid Metal Door	99 lb
13492-X60	27.3"W x 60"H x 24"D, 18U Tapped #12-24 Rails Solid Metal Door	192 lb
13492-X72	27.3"W x 72"H x 24"D, 26U Tapped #12-24 Rails Solid Metal Door	247 lb

*Other sizes and styles available. *Note: Designate finish color: (-2) for White, and (-7) for Black. Contact Tech Support at 800-834-4969 for additional options.*

Key Accessories

Part No.	Description	Wt.
12804-701	100 CFM Fan Kit	1 lb
12805-701	Filter Kit for Fan	1 lb
12806-001	Replacement Filters, Box of 6	1 lb
12796-501	45" Mounting Bracket	1 lb
12803-701	Light	1 lb
40605-001	#12-24 Screws, Bag of 50	1 lb
40605-005	#12-24 Screws, 50, Black	1 lb



CHATSWORTH PRODUCTS, INC.

CPI's new online Product Configurator is an easy-to-use confidential tool that guides you through the steps and selections necessary to create customized Systems. Check out the Product Configurator at www.chatsworth.com/configurator.

All products quoted are subject to availability based on manufacturing capacity and shipping dates should be considered estimates only. While every effort has been made to ensure the accuracy of all information, CPI does not accept liability for any errors or omissions and reserves the right to change information and descriptions of listed services and products. ©2007 Chatsworth Products, Inc. All rights reserved. CPI, Saf-T-Grip, Seismic Frame, SlimFrame and MegaFrame are federally registered trademarks of Chatsworth Products, Inc. CPI Passive Cooling, Cube-IT Plus, EasySwing, FastTrac, Multi-Mount, Structured Termination Systems, TeraFrame, Thinline, QuadraRack and Universal Rack are trademarks of Chatsworth Products, Inc. All other trademarks belong to their respective companies. MKT#60020-205 Rev2 05/07/NB