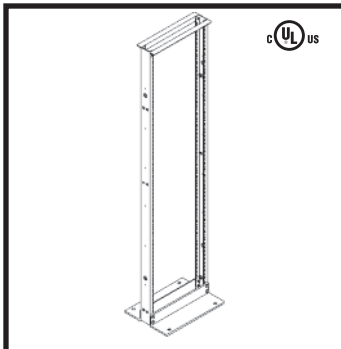

Universal Rack
Standard Racks, 3" Deep
Seismic Frame® Two-Post Rack
QuadraRack® 4-Post & Server Frame
Adjustable QuadraRack® & ServerRack
Adjustable Rail QuadraRack® & ServerRack

Applications: Network facilities and data center computer rooms	Applications: Network facilities	Applications: Network facilities and data center computer rooms	Applications: Network facilities	Applications: Network facilities and data center computer rooms	Applications: Network facilities and data center computer rooms
Key Features: <ul style="list-style-type: none"> Threaded rails for quick attachment of network equipment and patch panels Use with shelves to support large equipment Fixed position mounting channels Marked and numbered rack-mount spaces (U) Integrated grounding and bonding system UL Listed 	Key Features: <ul style="list-style-type: none"> Threaded rails for quick attachment of network equipment and patch panels Use with shelves to support large equipment Fixed position mounting channels Marked and numbered rack-mount spaces (U) Integrated grounding and bonding system UL Listed 	Key Features: <ul style="list-style-type: none"> Designed for use in earthquake hazard areas Meets GR-63-CORE NEBS Zone 4 requirements Threaded or square-punched mounting rails can be set 6" (150 mm) or 3" (80 mm) apart Marked and numbered rack-mount spaces (U) with reversible numbering Integral grounding and bonding system UL Listed 	Key Features: <ul style="list-style-type: none"> QuadraRack 4-Post Frame has threaded rails to support large network switches QuadraRack Server Frame has square-punched rails to support rack-mount servers Fixed position mounting channels Marked rack-mount spaces (U) 	Key Features: <ul style="list-style-type: none"> Adjustable QuadraRack has threaded rails to support large network switches Adjustable ServerRack has square-punched rails to support rack-mount servers Mounting channels adjust in fixed 25 mm increments Marked and numbered rack-mount spaces (U) UL Listed 	Key Features: <ul style="list-style-type: none"> Adjustable Rail QuadraRack has threaded rails to support large network switches Adjustable Rail ServerRack has square-punched rails to support rack-mount servers Adjustable depth rear mounting rails Marked and numbered rack-mount spaces (U) with reversible numbering Integrated grounding and bonding system UL Listed
Width (2): <ul style="list-style-type: none"> 20.3" (516 mm), 19" EIA 24.3" (617 mm), 23" 	Width: <u>3"D Channel</u> <ul style="list-style-type: none"> 20.3" (516 mm), 19" EIA 	Width (2): <ul style="list-style-type: none"> 24" (610 mm), 19" EIA 28" (710 mm), 23" 	Width (1): <ul style="list-style-type: none"> 20.3" (516 mm), 19" EIA 	Width (1): <ul style="list-style-type: none"> 20.3" (516 mm), 19" EIA 	Width (1): <ul style="list-style-type: none"> 23.62" (600 mm), 19" EIA
Height (11): <ul style="list-style-type: none"> 6' (1.8 m), 38U 7' (2.1 m), 45U 8' (2.4 m), 51U 9' (2.7 m), 58U <i>Other heights available</i>	Height: <ul style="list-style-type: none"> 7' (2.1 m), 45U 8' (2.4 m), 52U 9' (2.7 m), 58U 	Height (1): <ul style="list-style-type: none"> 7' (2.1 m), 44U 	Height (3): 4-Post Frame: <ul style="list-style-type: none"> 7' (2.1 m), 45U 8' (2.4 m), 51U 9' (2.7 m), 58U Server Frame: <ul style="list-style-type: none"> 7' (2.1 m), 45U 	Height (4): <ul style="list-style-type: none"> 6' (1.8 m), 38U 7' (2.1 m), 45U 8' (2.4 m), 51U 9' (2.7 m), 58U 	Height (3): <ul style="list-style-type: none"> 7' (2.1 m), 45U 8' (2.4 m), 51U 9' (2.7 m), 58U
Depth (1): <ul style="list-style-type: none"> Overall footprint: 15" (380 mm), 3" (76 mm) mounting channel 	Depth: <u>3"D Channel</u> <ul style="list-style-type: none"> 15" (380 mm) 	Depth (1): <ul style="list-style-type: none"> Overall footprint: 15" (380 mm), 9.6" (244 mm) channels 	Depth (1): <ul style="list-style-type: none"> Overall footprint: 41" (1040 mm), 29" (740 mm) mounting depth 	Depth (4 ranges): <ul style="list-style-type: none"> 15.75" to 21.65" (400 to 500 mm) 22.64" to 28.54" (575 to 725 mm) 29.53" to 35.43" (750 to 900 mm) 36.42" to 42.32" (925 to 1075 mm) 	Depth (2): <ul style="list-style-type: none"> 23.62" (600 mm) 35.43" (900 mm)
Equipment Load Bearing Capacity: <ul style="list-style-type: none"> 1500 lb (680.4 kg) 	Equipment Load Bearing Capacity: <ul style="list-style-type: none"> 1000 lb (453.6 kg) 	Equipment Load Bearing Capacity: <ul style="list-style-type: none"> 1000 lb (453.6 kg) 	Equipment Load Bearing Capacity: <ul style="list-style-type: none"> 4-Post Frame: 2000 lb (907.2 kg) Server Frame: 1000 lb (453.6 kg) 	Equipment Load Bearing Capacity: <ul style="list-style-type: none"> 2000 lb (907.2 kg) 	Equipment Load Bearing Capacity: <ul style="list-style-type: none"> 2200 lb (1000.0 kg)
Construction: <ul style="list-style-type: none"> Bolted aluminum 	Construction: <ul style="list-style-type: none"> Bolted aluminum 	Construction: <ul style="list-style-type: none"> Welded steel 	Construction: <ul style="list-style-type: none"> Bolted aluminum and steel 	Construction: <ul style="list-style-type: none"> Welded and bolted steel 	Construction: <ul style="list-style-type: none"> Welded and bolted steel



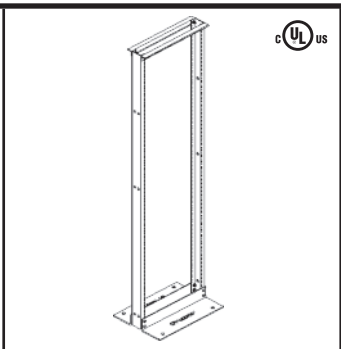
Universal Rack

Part No.	Description	Wt.
46353-X03	45U x 19"EIA x 3"D (76 mm) channel, 7'H x 20.3"W x 15"D rack (2.1 m x 516 mm x 380 mm)	39 lb 17.7 kg
46353-X15	51U x 19"EIA x 3"D (76 mm) channel, 8'H x 20.3"W x 15"D rack (2.4 m x 516 mm x 380 mm)	41 lb 18.6 kg
46353-X08	58U x 19"EIA x 3"D (76 mm) channel, 9'H x 20.3"W x 15"D rack (2.7 m x 516 mm x 380 mm)	43 lb 19.5 kg

X=color: (-1)=Gray, (-2)=Computer Beige, (-5)= Grained Aluminum, (-7)=Black and (-E)=Glacier White. Other sizes available. Contact Tech Support at 800-834-4969 for additional options.

Key Accessories

Part No.	Description	Wt.
40604-003	Concrete Slab Install Kit	1 lb/0.5 kg
40607-001	Wood Floor Install Kit	2 lb/0.9 kg
10630-119	16"-22" (410 mm to 560 mm) Raised Floor Kit	20 lb/9.1 kg
40602-X00	Line Up Spacer Kit	1 lb/0.5 kg
40605-001	#12-24 Screws, Zinc, 50	1 lb/0.5 kg
40605-005	#12-24 Screws, Black, 50	1 lb/0.5 kg



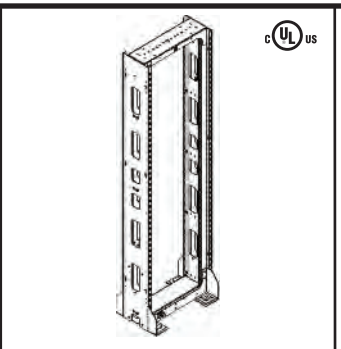
Standard Racks, 3" Deep

Part No.	Description	Wt.
55053-X03	45U x 19"EIA x 3"D (76 mm) channel, 7'H x 20.3"W x 15"D rack (2.1 m x 516 mm x 380 mm)	31 lb 14.1 kg
55053-X15	52U x 19"EIA x 3"D (76 mm) channel, 8'H x 20.3"W x 15"D rack (2.4 m x 516 mm x 380 mm)	37 lb 16.82 kg
55053-X08	58U x 19"EIA x 3"D (76 mm) channel, 9'H x 20.3"W x 15"D rack (2.7 m x 516 mm x 380 mm)	40 lb 18.1 kg

X=color: (-1)=Gray, (-2)=Computer Beige, (-5)= Grained Aluminum, (-7)=Black and (-E)=Glacier White. Other sizes available. Contact Tech Support at 800-834-4969 for additional options.

Key Accessories

Part No.	Description	Wt.
40604-003	Concrete Slab Install Kit	1 lb/0.5 kg
40607-001	Wood Floor Install Kit	2 lb/0.9 kg
11762-119	16"-22" (410 mm to 560 mm) Raised Floor Kit	21 lb/9.5 kg
40702-X00	Line Up Spacer Kit	1 lb/0.5 kg
40605-001	#12-24 Screws, Zinc, 50	1 lb/0.5 kg
40605-005	#12-24 Screws, Black, 50	1 lb/0.5 kg



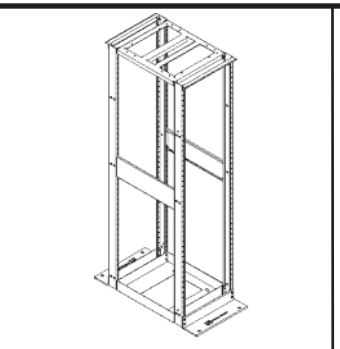
Seismic Frame® Two-Post Rack

Seismic Frame® Two Post Rack		
Part No.	Description	Wt.
13853-X03	44U x 19"EIA x 6"D (150 mm) rails, 7'H x 24"W x 15"D rack (2.1 m x 610 mm x 380 mm) Tapped #12-24 Zinc Rails	180 lb 81.6 kg
13854-X03	44U x 19"EIA x 6"D (150 mm) rails, 7'H x 24"W x 15"D rack (2.1 m x 610 mm x 380 mm) Square-Punched Zinc Rails	178 lb 80.7 kg
13855-X03	44U x 19"EIA x 6"D (150 mm) rails, 7'H x 24"W x 15"D rack (2.1 m x 610 mm x 380 mm) Tapped #12-24 Painted Rails	180 lb 81.6 kg
13856-X03	44U x 19"EIA x 6"D (150 mm) rails, 7'H x 24"W x 15"D rack (2.1 m x 610 mm x 380 mm) Square-Punched Painted Rails	178 lb 80.7 kg
13883-X03	44U x 23"W x 6"D (150 mm) rails, 7'H x 28"W x 15"D rack (2.1 m x 710 mm x 380 mm) Tapped #12-24 Zinc Rails	180 lb 81.6 kg
13884-X03	44U x 23"W x 6"D (150 mm) rails, 7'H x 28"W x 15"D rack (2.1 m x 710 mm x 380 mm) Square-Punched Zinc Rails	178 lb 80.7 kg
13885-X03	44U x 23"W x 6"D (150 mm) rails, 7'H x 28"W x 15"D rack (2.1 m x 710 mm x 380 mm) Tapped #12-24 Painted Rails	180 lb 81.6 kg
13886-X03	44U x 23"W x 6"D (150 mm) rails, 7'H x 28"W x 15"D rack (2.1 m x 710 mm x 380 mm) Square-Punched Painted Rails	178 lb 80.7 kg

X=color: (-1)=Gray, (-2)=Computer Beige, (-5)= Grained Aluminum, (-7)=Black and (-E)=Glacier White. Other sizes available. Install using four seismic-rated concrete anchors (sold separately below in Floor Anchor Kit).

Key Accessories

Part No.	Description	Wt.
13702-001	Concrete Floor Anchor Kit	3 lb/1.4 kg
13703-701	Floor Drilling Template	6 lb/2.7 kg
12637-001	M6 Cage Nuts, 25	1 lb/0.5 kg
12638-001	10-32 Cage Nuts, 25	1 lb/0.5 kg
12639-001	12-24 Cage Nuts, 25	1 lb/0.5 kg
40605-001	#12-24 Screws, Zinc, 50	1 lb/0.5 kg
40605-005	#12-24 Screws, Black, 50	1 lb/0.5 kg



QuadraRack® 4-Post & Server Frame

QuadraRack 4-Post Frame		
Part No.	Description	Wt.
50120-X03	45U x 19"EIA x 29"D (740 mm) channels, 7'H x 20.3" x 41"D frame (2.1 m x 516 mm x 1042 mm)	65 lb 29.5 kg
50120-X15	51U x 19"EIA x 29"D (740 mm) channels, 8'H x 20.3" x 41"D frame (2.4 m x 516 mm x 1042 mm)	67 lb 30.4 kg
50120-X08	58U x 19"EIA x 29"D (740 mm) channels, 9'H x 20.3" x 41"D frame (2.7 m x 516 mm x 1042 mm)	69 lb 31.3 kg

QuadraRack Server Frame

Part No.	Description	Wt.
15053-X03	45U x 19"EIA x 29"D (740 mm) channels, 7'H x 20.3" x 41"D frame (2.1 m x 516 mm x 1042 mm)	77 lb 34.9 kg

Order cage nuts separately

ExpandaRack

Converts Standard and Universal Racks into QuadraRacks

Part No.	Description	Wt.
50110-X03	For 7'H (2.1 m)	46 lb/20.9 kg
50110-X15	For 8'H (2.4 m)	48 lb/21.8 kg
50110-X08	For 9'H (2.7 m)	50 lb/22.7 kg

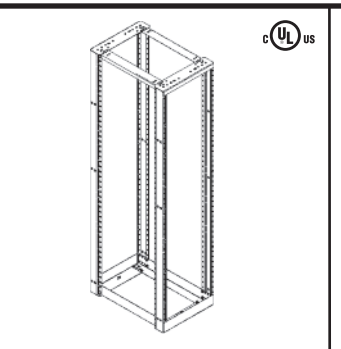
For Universal Racks

50130-X03	For 7'H (2.1 m)	52 lb/23.6 kg
50130-X15	For 8'H (2.4 m)	55 lb/24.9 kg
50130-X08	For 9'H (2.7 m)	58 lb/26.3 kg

X=color: (-1)=Gray, (-2)=Computer Beige, (-7)=Black and (-E)=Glacier White.

Key Accessories

Part No.	Description	Wt.
40604-003	Concrete Slab Install Kit	1 lb/0.5 kg
40607-001	Wood Floor Install Kit	2 lb/0.9 kg
12637-001	M6 Cage Nuts, 25	1 lb/0.5 kg
12638-001	10-32 Cage Nuts, 25	1 lb/0.5 kg
12639-001	12-24 Cage Nuts, 25	1 lb/0.5 kg
40605-001	#12-24 Screws, Zinc, 50	1 lb/0.5 kg
40605-005	#12-24 Screws, Black, 50	1 lb/0.5 kg



Adjustable QuadraRack® & Server Rack

Adjustable QuadraRack		
Part No.	Description	Wt.
15215-X03	45U x 19"EIA, 7'H x 20.3"W x 15.75" to 21.65"D, (2.1 m x 516 mm x 400 to 550 mm)	89 lb 40.4 kg
15216-X03	45U x 19"EIA, 7'H x 20.3"W x 22.64" to 28.54"D, (2.1 m x 516 mm x 575 to 725 mm)	93 lb 42.2 kg
15217-X03	45U x 19"EIA, 7'H x 20.3"W x 29.53 to 35.43"D, (2.1 m x 516 mm x 750 to 900 mm)	97 lb 44.0 kg
15218-X03	45U x 19"EIA, 7'H x 20.3"W x 36.42" to 42.32"D, (2.1 m x 516 mm x 925 to 1075 mm)	101 lb 45.8 kg

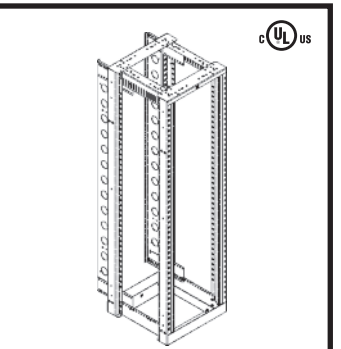
Adjustable Server Rack

Part No.	Description	Wt.
15211-X03	45U x 19"EIA, 7'H x 20.3"W x 15.75" to 21.65"D, (2.1 m x 516 mm x 400 to 550 mm)	90 lb 40.8 kg
15212-X03	45U x 19"EIA, 7'H x 20.3"W x 22.64" to 28.54"D, (2.1 m x 516 mm x 575 to 725 mm)	94 lb 42.6 kg
15213-X03	45U x 19"EIA, 7'H x 20.3"W x 29.53 to 35.43"D, (2.1 m x 516 mm x 750 to 900 mm)	98 lb 44.5 kg
15214-X03	45U x 19"EIA, 7'H x 20.3"W x 36.42" to 42.32"D, (2.1 m x 516 mm x 925 to 1075 mm)	102 lb 46.3 kg

X=color: (-1)=Gray, (-2)=Computer Beige, (-7)=Black and (-E)=Glacier White. Depth adjust in .98" (25 mm) increments. Depth is fixed once installed.

Key Accessories

Part No.	Description	Wt.
40604-003	Concrete Slab Install Kit	1 lb/0.5 kg
40607-001	Wood Floor Install Kit	2 lb/0.9 kg
12637-001	M6 Cage Nuts, 25	1 lb/0.5 kg
12638-001	10-32 Cage Nuts, 25	1 lb/0.5 kg
12639-001	12-24 Cage Nuts, 25	1 lb/0.5 kg
40605-001	#12-24 Screws, Zinc, 50	1 lb/0.5 kg
40605-005	#12-24 Screws, Black, 50	1 lb/0.5 kg



Adjustable Rail QuadraRack® & Server Rack

Adjustable Rail QuadraRack		
Part No.	Description	Wt.
15251-X03	45U x 19"EIA, 7'H x 23.6"W x 23.6"D (2.1 m x 600 mm x 600 mm), rails adjust 15.0" to 29.5" D (380 mm to 750 mm D)	185 lb 83.9 kg
15252-X03	45U x 19"EIA, 7'H x 23.6"W x 35.4"D (2.1 m x 600 mm x 900 mm), rails adjust 15.0" to 41.3" D (380 mm to 1050 mm D)	193 lb 87.5 kg

X=color: (-1) for Gray, (-2) for White, (-7) for Black. Other sizes available. Contact Technical Support at 800-834-4969 for assistance.

Adjustable Rail Server Rack

Part No.	Description	Wt.
15253-X03	45U x 19"EIA, 7'H x 23.6"W x 23.6"D (2.1 m x 600 mm x 600 mm), rails adjust 15.0" to 29.5" D (380 mm to 750 mm D)	185 lb 83.9 kg
15254-X03	45U x 19"EIA, 7'H x 23.6"W x 35.4"D (2.1 m x 600 mm x 900 mm), rails adjust 15.0" to 41.3" D (380 mm to 1050 mm D)	193 lb 87.5 kg

X=color: (-1)=Gray, (-2)=Computer Beige, (-7)=Black and (-E)=Glacier White. Other sizes available. Contact Technical Support at 800-834-4969 for assistance.

Key Accessories

Part No.	Description	Wt.
40604-003	Concrete Slab Install Kit	1 lb/0.5 kg
40607-001	Wood Floor Install Kit	2 lb/0.9 kg
12637-001	M6 Cage Nuts, 25	1 lb/0.5 kg
12638-001	10-32 Cage Nuts, 25	1 lb/0.5 kg
12639-001	12-24 Cage Nuts, 25	1 lb/0.5 kg
40605-001	#12-24 Screws, Zinc, 50	1 lb/0.5 kg
40605-005	#12-24 Screws, Black, 50	1 lb/0.5 kg



CPI's online Product Configurator is an easy-to-use confidential tool that guides you through the steps and selections necessary to create customized systems. Check out the Product Configurator at www.chatsworth.com/configurator.

www.chatsworth.com • techsupport@chatsworth.com • +1-800-834-4969

©2013 Chatsworth Products, Inc. All rights reserved. CPI, CPI Passive Cooling, GlobalFrame, MegaFrame, Saf-T-Grip, Seismic Frame, SlimFrame, TeraFrame, Cube-iT Plus, Evolution, OnTrac, Velocity and QuadraRack are federally registered trademarks of Chatsworth Products. eConnect and Simply Efficient are trademarks of Chatsworth Products. All other trademarks belong to their respective companies. Rev.9 06/13 MKT-60020-203