

Frequently Asked Questions

QuadraRack™ 4-Post Frame



50120-X03	50110-X03	50130-X03
50120-X15	50110-X15	50130-X15
50120-X08	50110-X08	50130-X08

Q. What is the difference between a QuadraRack and an ExpandaRack?

A. QuadraRack is a complete 4-Post Frame solution. It includes all the components needed to make the 4-Post Frame whereas the ExpandaRack is used to convert an existing 2-Post CPI Rack to a 4-Post Frame.

Q. What is the maximum equipment width that can be attached?

A. All the dimensions are the same as those for any CPI 19" W rack. Therefore, the flange edge to flange edge dimension is 17.79".

Q. How much weight will they support?

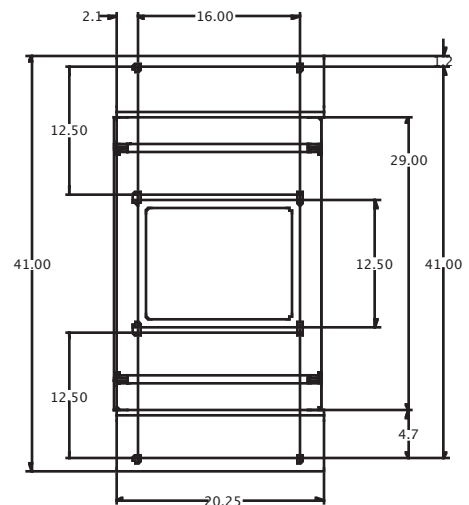
A. QuadraRack supports 2000 lb, ExpandaRack - Standard Rack style supports 2000 lb and ExpandaRack - Universal Rack style supports 2200 lb.

Q. How many mounting spaces (RMUs) are provided?

A. All the dimensions are the same as those for any CPI 19" W rack. 7'H - 45 RMU; 8'H - 51 RMU; 9'H - 58 RMU.

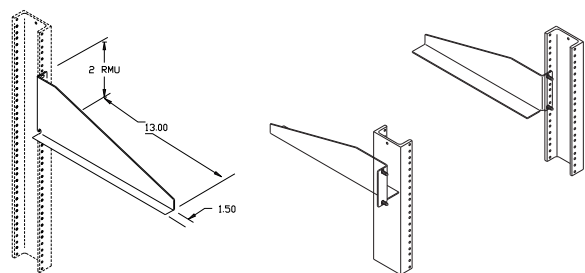
Q. What is the useable and overall depths?

A. The useable depth from the front channel flange edge to rear channel flange edge is 29". However, equipment can extend beyond this dimension through the rear channel if necessary. The overall depth from the front base angle to the rear base angle is 41.00". See drawing below.



Q. My rack-mount network equipment only attaches onto the front channels. Is it possible to add support at the rear?

A. By utilizing the Equipment Support Bracket (P/N 12312-X01 shown below), rack mounted equipment shorter than 29" may be supported in the rear. The Equipment Support Bracket is 13"D with a 1.5" chassis support lip. Equipment weighing no more than 60 lb may be supported utilizing this bracket. There are also several 4-point shelves that attach to QuadraRack to provide full-depth equipment



Frequently Asked Questions

QuadraRack™ 4-Post Frame

support for loads up to 300 lb. See drawings below.

Q. What rack-mount servers can be mounted?

A. Use QuadraRack Server Frame to support rack-mount servers. Server Frame has square-punched holes that accept cage nut hardware to allow hardware to change to meet equipment requirements. For loads over 1000 lb, use a 4-point shelf or a CPI Cabinet System. Call Technical Support for further assistance on mounting rack-mount servers.

Q. I don't need the heavy-duty 4-point mounted shelves offered with the product. What other CPI shelves can I use?

A. Any single-sided CPI shelf (see list below) can be mounted so that the shelf extends into the 4-Post Frame.

- 10758-X01 Small Peripheral Shelf
- 40074-X00 Single-Sided Shelf
- 40117-X19 Single-Sided Shelf, Vented
- 12201-X01 10"D Shelf

Q. Do you have any other options for keyboard/mouse support?

A. Yes. Use 13380-719 LCD Monitor and Shelf (includes LCD monitor) and 13480-719 Keyboard + Tray (includes keyboard with track pad) to store keyboard and monitor in less than 3 RMU of rack-mount space. To support a full size keyboard use: 12193-X01 Full Size Sliding Keyboard & Mouse Tray or 11546-X01 Full Size Sliding Keyboard Tray (no mouse support). To support small footprint keyboard (up to 16.1" W) without mouse support, use: 12062-X19 Sliding Single Keyboard Tray; 11227-X19 Sliding Double Keyboard Tray; 11163-X19 Tilting Keyboard Tray; 12717-X19 Flush Mount Keyboard Tray.

Q. Do you have any power strip options?

A. Yes. Use any Vertical Power Strip for CPI Rack Systems or any horizontal 19" rack-mount power strip. CPI offers a large section of power strips with and without metered power.

Q. What CPI products are offered to provide seismic protection for the Quadra/Expanda Racks?

A. For seismic protection it is recommended that the 4-Post Frame is supported at the top and bottom.

Cable runway is commonly used to provide top support (along with cable routing). The Quadra/ExpandaRack top Extension Pan has been specially designed to allow mounting of cable runway (4"-20" W horizontal or

perpendicular) directly to the top of the rack utilizing optional J-Bolt Kit (11308-X01) or the CPI Rack-To-Runway Plate (Series 10595) may be used. In addition, holes have been pre-drilled to allow attachment of the Universal Earthquake Bracing Kit (10562-001). To secure the bottom of the frame, the Concrete Floor Kit (40604-001) can be used.

Other seismic protection products are:

- 16356-X19 Quadra/ExpandaRack Equipment Tie-Down Bracket
- 14061-X19 MegaFrame™ Seismic Equipment Bracket
- 11725-X01 Monitor Tie-Down Kit (for use with 12495-X19 MegaFrame™)
- Monitor Shelf and Sliding Keyboard Tray w/Mouse Pad)

