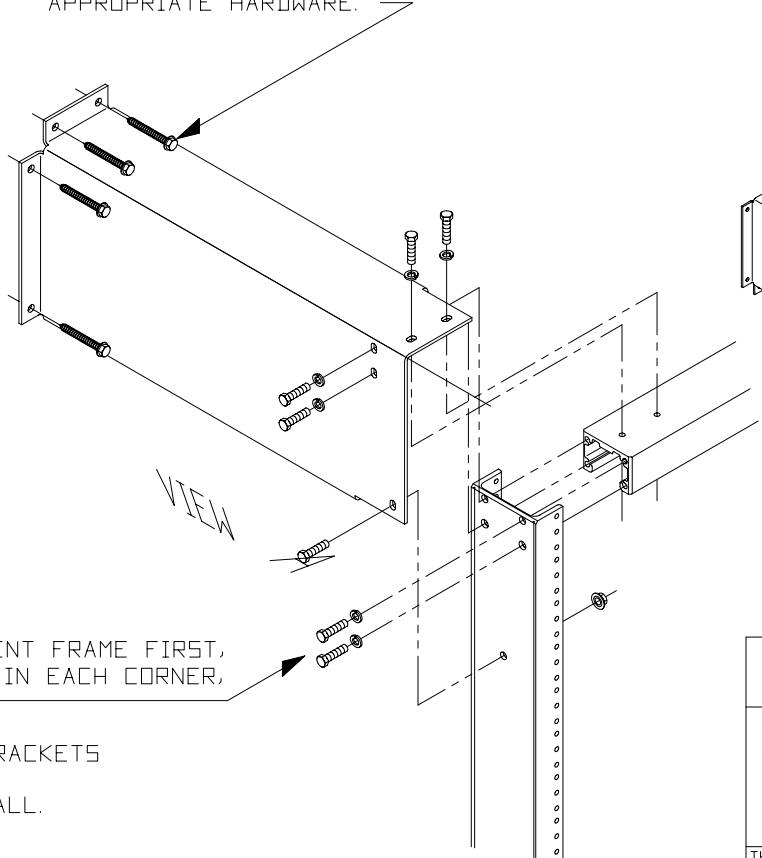


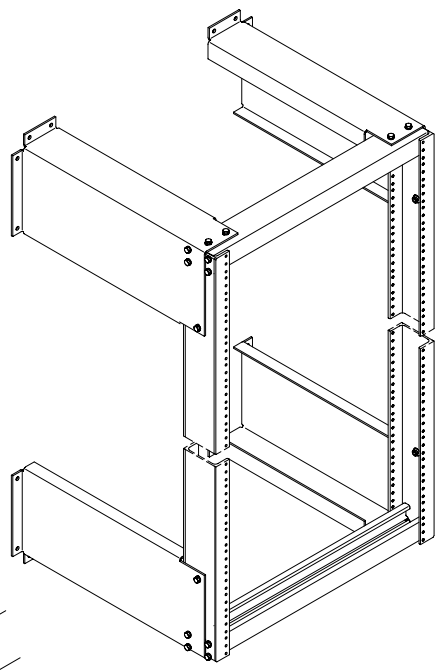
IT IS ADVISED THAT WALL-MOUNTED EQUIPMENT RACKS BE MOUNTED TO A 3/4" PLYWOOD BACKBOARD, SECURELY FASTENED TO THE WALL STUDS.

LAG SCREWS ARE INTENDED FOR ATTACHMENT TO A WOODEN SURFACE. FOR A MASONRY SURFACE, THE INSTALLER MUST PROVIDE APPROPRIATE HARDWARE.



NOTE: ASSEMBLE EQUIPMENT FRAME FIRST, WITH TWO SCREWS IN EACH CORNER, AS SHOWN.

THEN ADD WALL BRACKETS  
THEN MOUNT TO WALL.



TELEPHONE: (818) 882-8595



HEAVY DUTY WALL MT.  
EQUIPMENT RACK  
ASSEMBLY INSTR.

THIS DRAWING CONTAINS INFORMATION PROPRIETARY TO CHATSWORTH PRODUCTS, INC. ANY REPRODUCTION, DISCLOSURE OR USE OF THIS DRAWING IS EXPRESSLY FORBIDDEN EXCEPT AS AGREED TO IN WRITING BY CHATSWORTH PRODUCTS, INC.