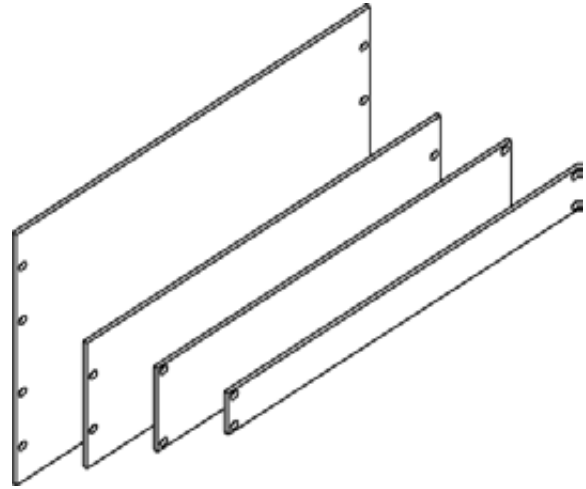


# Product Cut Sheet

## FILLER PANEL

For airflow control and/or equipment mounting, fill empty spaces between mounted equipment.



Filler Panels		
300	Filler Panels	
	Thickness - in (mm)	Width
24	3/16 (4.763)	19"
25	3/16 (4.763)	23"
26	1/8 (3.18)	19"
27	1/8 (3.18)	23"
	Color	
1	Gray	
2	Computer Beige	
5	Clear	
7	Black	
E	Glacier White	
	Spaces - in (mm)	U
01	1.72 (43.7)	1
02	3.47 (88.1)	2
03	5.22 (132.6)	3
04	6.97 (177.0)	4
05	8.72 (221.5)	5
06	10.47 (265.9)	6
07	12.22 (310.4)	7
08	13.97 (354.8)	8
09	15.72 (399.3)	9
10	17.47 (443.7)	10
11	19.22 (488.2)	11
12	20.97 (532.6)	12
300	XX	- X XX

800-834-4969 in U.S. & Canada • [www.chatsworth.com](http://www.chatsworth.com)



CHATSWORTH PRODUCTS

©2013 Chatsworth Products, Inc. All rights reserved. CPI, CPI Passive Cooling, GlobalFrame, MegaFrame, Saf-T-Grip, Seismic Frame, SlimFrame, TeraFrame, Cube-IT Plus, Evolution, OnTrac, Velocity and QuadraRack are federally registered trademarks of Chatsworth Products. eConnect and Simply Efficient are trademarks of Chatsworth Products. All other trademarks belong to their respective companies. 6/13